

# Contacts

We are committed to providing you with complete customer satisfaction.  
If you have any questions or comments about our products or services please  
contact your nearest Customer Service Centre during their local business hours:

## Australia

1300 300 564

## New Zealand

0800 021 027

## Email

[hhl.enquiries@amesau.com](mailto:hhl.enquiries@amesau.com)

## Hills Websites

### Hills Home Living

[hillshome.com.au](http://hillshome.com.au)

### Hills Consumer Advice

[hillshome.com.au/need-help](http://hillshome.com.au/need-help)



AMES Australasia Pty Ltd.

ABN 89 169 427 061

Issue January 2020



## Retracting Clothesline Post Kit

Owner's Manual  
80101571



# Introduction

## Congratulations!

Congratulations on the purchase of your new **Hills Retracting Clothesline Post Kit!** It is important that you read these instructions thoroughly before installation and use to benefit from all the design features and enjoy safe use of the product.

This product is intended for use in conjunction with the Hills 4 & 6 Line Retracting Clothesline. Thank you for choosing Hills!

**\*Note:** An optional Ground Socket (Item code: 80101601) is available, which allows you to remove your Post from the ground. Hills suggests use of the Ground Socket to allow for further adjustability and to allow for natural shifts in the ground.

**\*Note:** If you are mounting a Hills Retracting Clothesline to your Post Kit, you will require a Mount Bar, sold separately:

- Mount Bar Kit, 4 Line (Item Code: 80101588)
- Mount Bar Kit, 6 Line (Item Code: 80101595)

**\*Note:** All fasteners required for assembling the Hills Retracting Clothesline to the Mount Bar are supplied with the Mount Bar.

# Hills Lifetime Warranty

AMES Australasia Pty Ltd warrants that this Hills product will be free from defects in manufacturing for the lifetime of the original purchaser of the product. This warranty does not extend to the surface finish of the product from weathering. If a defect covered by this warranty becomes evident during that period, AMES Australasia Pty Ltd will, at its option, replace the product, supply replacement parts for the product or refund the product. The cost or labour required to install any replacement part or product supplied under a valid warranty claim is not covered.

In the event of a defect covered by this warranty, you should contact the Hills Customer Service Centre using the details below. You will require proof of purchase. Any expenses incurred in making a claim under this warranty are not covered by the warranty.

This warranty does not apply to any defect or damage caused by accident, improper use, abuse, neglect, or unauthorised alteration or repair. This warranty does not apply where the product was not installed in accordance with the product installation instructions. This warranty does not apply to any costs incurred in the installation of the product

## For products purchased in Australia

Our goods come with guarantees that cannot be excluded under the Australian Consumer Law. You are entitled to a replacement or refund for a major failure and compensation for any other reasonably foreseeable loss or damage. You are also entitled to have the goods repaired or replaced if the goods fail to be of acceptable quality and the failure does not amount to a major failure.

## For products purchased in New Zealand

Our goods come with guarantees that cannot be excluded under the Consumer Guarantees Act. AMES Australasia Pty Ltd will comply with our obligations to you under the Consumer Guarantees Act.

AMES Australasia Pty Ltd.  
ABN 89 169 427 061  
Level 1, 660 Doncaster Road,  
Doncaster, VIC 3108 Australia

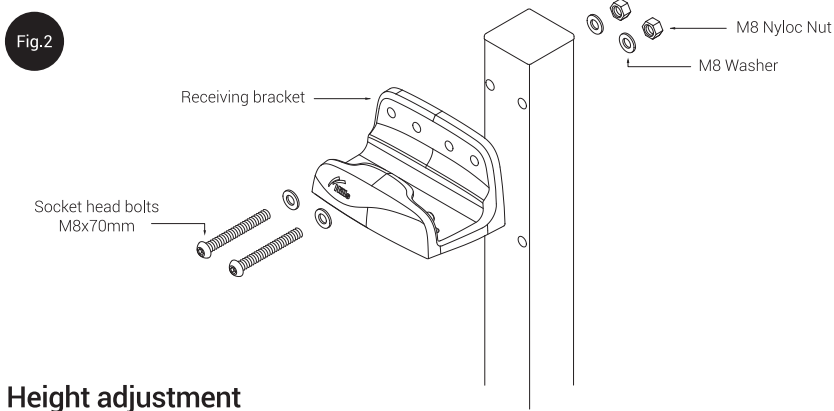
1

6

# Final Assembly

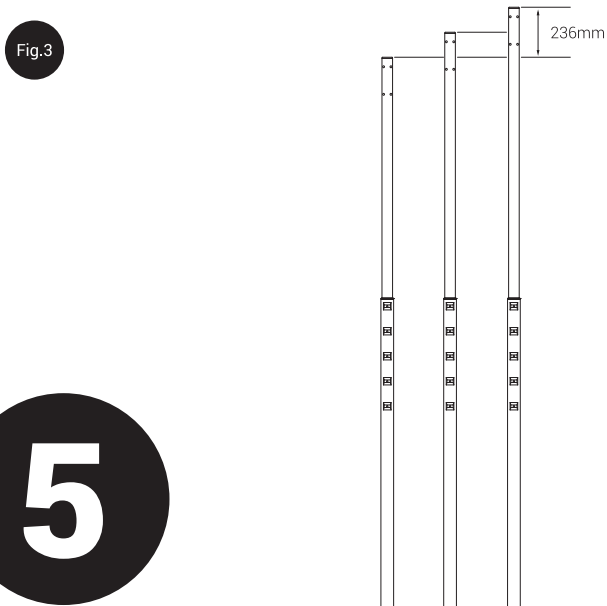
**\*Note:** Please refer to the Retracting Clothesline Mount Bar Manual if you are installing your Retracting Clothesline Cabinet to a Post Kit.

2.1 After allowing 48 hours for the concrete to set, use the two M8 x70 socket head bolts, two M8 nuts and 4x M8 washers to attach the Receiving Bracket (Included with Retracting Clothesline) to the desired height on the Post Assembly. (Figure 2)



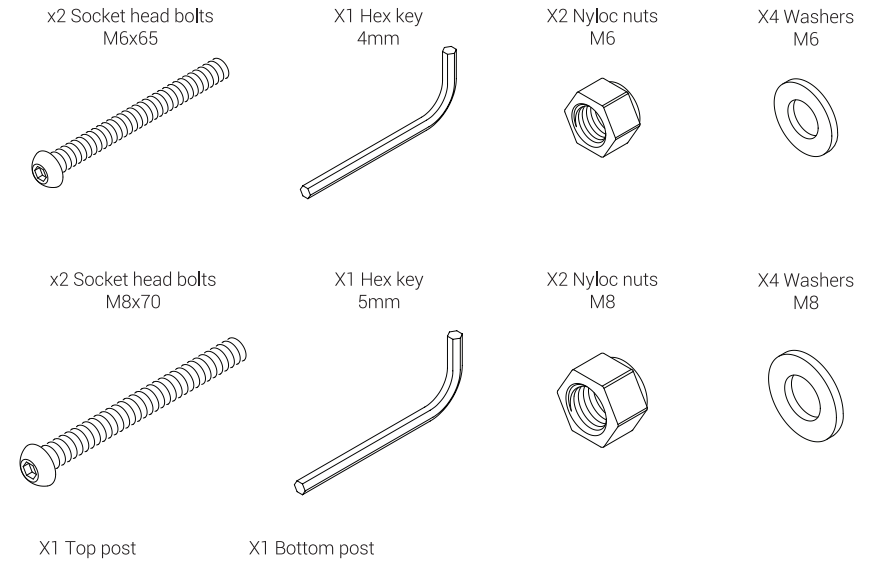
## Height adjustment

3.1 Your Post Kit has three height positions for a total of 236mm adjustment. To adjust the height of the Top Post, remove bolts, washers and nuts and move to new position. Re-secure bolts, washers and nuts. (Figure 3)



## Carton contents

Hills Retracting Clothesline Post Kit.



### \*Required Materials and Tools (Not included)

- Pre-mix concrete
- Coarse gravel
- Tape measure
- Spirit level
- Spade

5

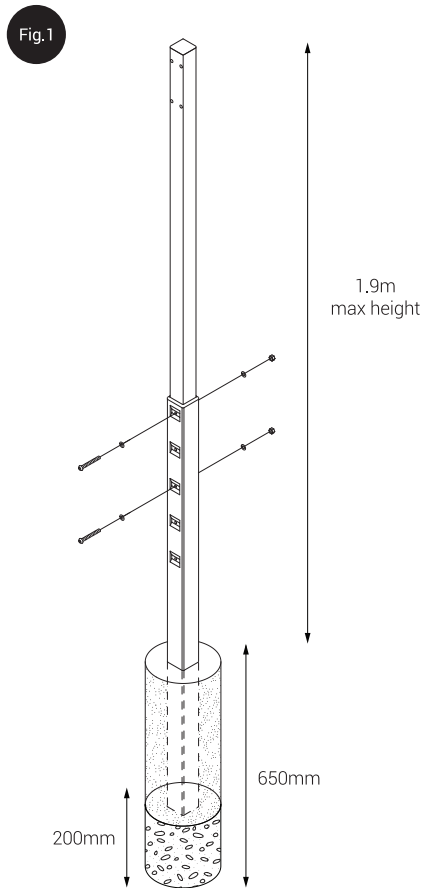
2

# Installation Instructions

## Installing directly into concrete

**\*Note:** If installing using a Ground Socket, please refer to the installation instructions provided with the Ground Socket manual.

- 1.1 Assemble your Post Kit by inserting the Top Post into the Bottom Post and secure with M6 x 65 bolts, nuts and washers.
- 1.2 Mark out the desired position for the Post Kit in line with the Retracting Clothesline Cabinet - Please refer to your Retracting Clothesline product manual for site selection and installation details.
- 1.3 Dig a hole 200mm in diameter x 650mm deep. Place approximately 200mm of coarse gravel in the bottom of the hole. Insert the Post Kit into the ground and push the post 50mm into the coarse gravel. (Figure 1)



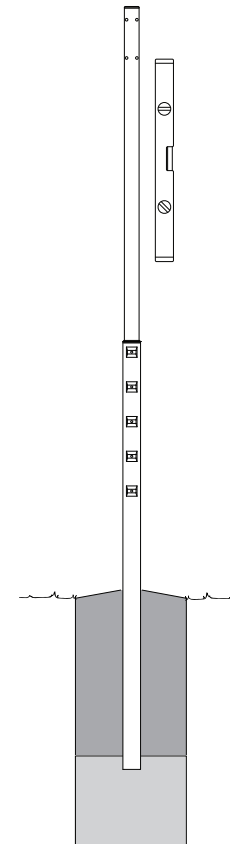
3

- 1.4 Adjust the Post Kit until the desired height is achieved. The top of the Top Post should be 115mm above user head height. (refer to your Retracting Clothesline manual).

**\*Note:** If installing both the Cabinet and Receiving Bracket to posts, ensure that the holes in the Bottom Post are parallel with the line between the two Post locations (See Step 1.2). If posts aren't correctly aligned, the lines of the Hills Retracting Clothesline will not be consistently tensioned once installed.

- 1.5 Concrete should be damp enough to hold together when squeezed in your hand. Support the Post Assembly in position and fill the hole with concrete. Settle the concrete by pushing a thin stick into the mix several times.
- 1.6 Use a spirit level to check the Post Assembly is vertical. Slope the surface of the concrete away from the Post Assembly to provide drainage.

**\*Note:** Allow 48 hours for the concrete to set before use.



4