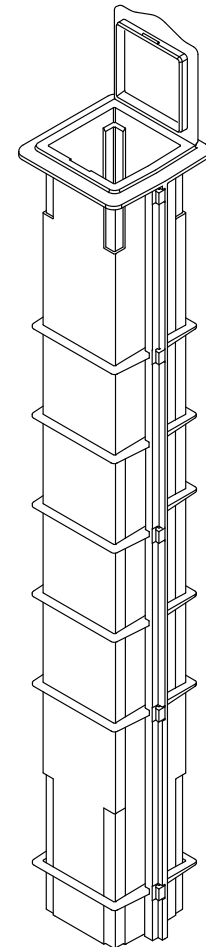




## **Retracting Clothesline Ground Socket**

Owner's Manual  
80101601



# Introduction

## Congratulations!

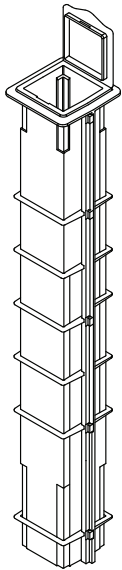
Congratulations on the purchase of your new **Hills Retracting Clothesline Ground Socket**. It is important that you read this manual thoroughly before installation and use to benefit from all the design features, and enjoy safe use of the product.

Thank you for choosing Hills.

Please refer to the Hills Retracting Clothesline Manual for warnings regarding the safe use of the product. This Ground Socket is compatible with previous Hills Retracting Clothelines. If unsure, contact Hills Customer Service.

## Carton contents

Hills Retracting Clothesline Ground Socket.



x1 Ground Socket  
with Locking Cover

### \*Required Materials and Tools (Not included)

- Pre-mix concrete
- Coarse gravel
- Tape measure
- Spirit level
- Spade

# Contacts

We are committed to providing you with complete customer satisfaction. If you have any questions or comments about our products or services please contact your nearest Customer Service Centre during their local business hours:

## Australia

1300 300 564

## New Zealand

0800 021 027

## Email

[hhl.enquiries@amesau.com](mailto:hhl.enquiries@amesau.com)

## Hills Websites

### Hills Home Living

[hillshome.com.au](http://hillshome.com.au)

### Hills Consumer Advice

[hillshome.com.au/need-help](http://hillshome.com.au/need-help)



AMES Australasia Pty Ltd.

ABN 89 169 427 061

Issue January 2020

# Hills Lifetime Warranty

AMES Australasia Pty Ltd warrants that this Hills product will be free from defects in manufacturing for one year. If a defect covered by this warranty becomes evident during that period, AMES Australasia Pty Ltd will, at its option, replace the product, supply replacement parts for the product or refund the product. The cost or labour required to install any replacement part or product supplied under a valid warranty claim is not covered.

In the event of a defect covered by this warranty, you should contact the Hills Customer Service Centre using the details below. You will require proof of purchase. Any expenses incurred in making a claim under this warranty are not covered by the warranty.

This warranty does not apply to any defect or damage caused by accident, improper use, abuse, neglect, or unauthorised alteration or repair. This warranty does not apply where the product was not installed in accordance with the product installation instructions. This warranty does not apply to any costs incurred in the installation of the product.

## For products purchased in Australia

Our goods come with guarantees that cannot be excluded under the Australian Consumer Law. You are entitled to a replacement or refund for a major failure and compensation for any other reasonably foreseeable loss or damage. You are also entitled to have the goods repaired or replaced if the goods fail to be of acceptable quality and the failure does not amount to a major failure.

## For products purchased in New Zealand

Our goods come with guarantees that cannot be excluded under the Consumer Guarantees Act. AMES Australasia Pty Ltd will comply with our obligations to you under the Consumer Guarantees Act.

5

AMES Australasia Pty Ltd.  
ABN 89 169 427 061  
Level 1, 660 Doncaster Road,  
Doncaster, VIC 3108 Australia

# Installation

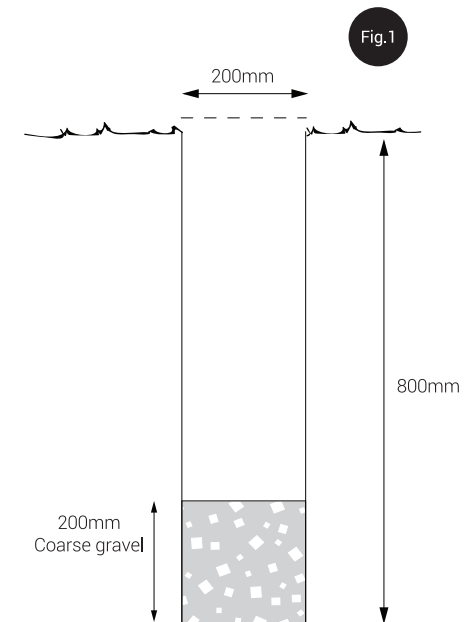
## Select a suitable installation location

**\*Note:** Before beginning installation, please thoroughly read the Retracting Clothesline manual to determine a suitable location and installation height requirements.

## Install the Ground Socket

**WARNING:** Do not push the Ground Socket into setting concrete. It's important to follow the instructions and pour wet concrete around the Ground Socket.

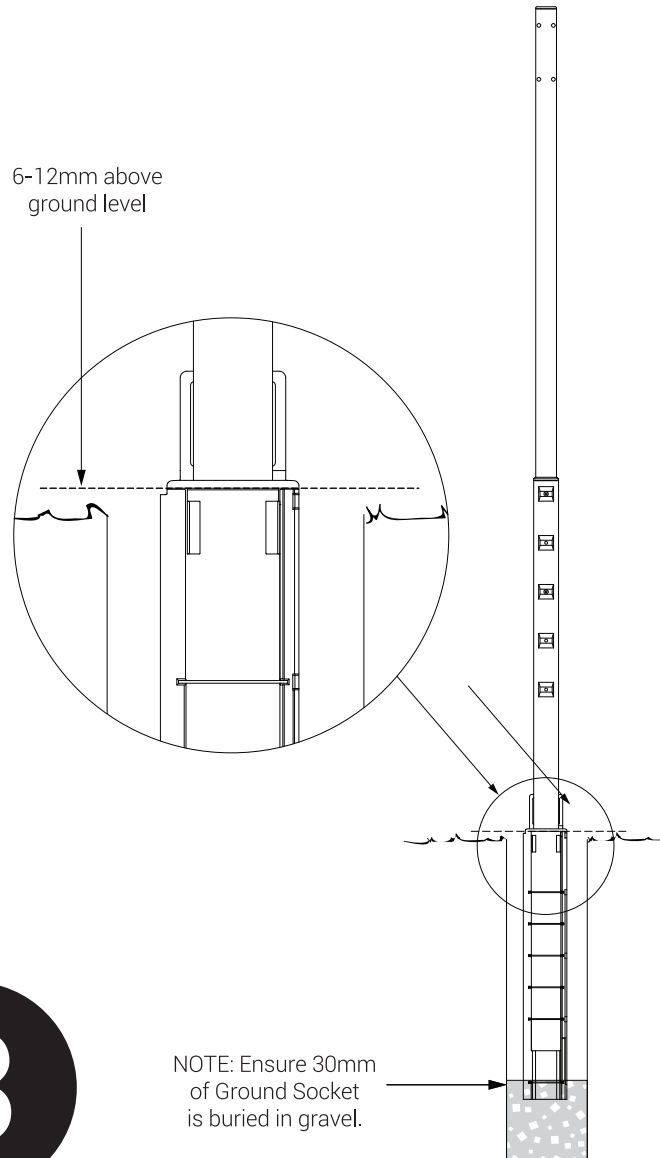
- 1.1 Mark out the desired position for the socket, in line with the Retracting Clothesline Cabinet. Refer to your Retracting Clothesline Manual for more information about site selection and installation details
- 1.2 Dig a hole 200mm diameter by approximately 800mm deep. Place approximately 200mm of coarse gravel into the hole. This ensures water can drain from the Ground Socket. (Figure 1)



2

- 1.3 Insert the Post into the Ground Socket and place into the hole.
- 1.4 Adjust the Post and Ground Socket until the flange of the Ground Socket sits around 6-12mm above the ground (Figure 2). Ensure there is approximately 30mm of the Ground Socket buried into the gravel.

Fig.2



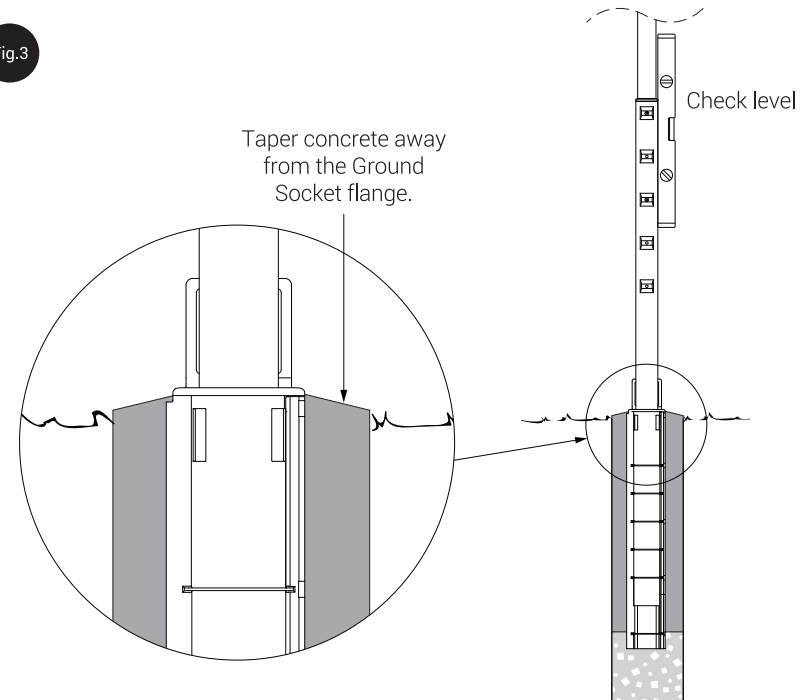
3

- 1.5 Prepare the concrete mix. Concrete should be damp enough to hold together when squeezed in your hand.

**WARNING: Do not push the Ground Socket into setting concrete. Ensure concrete doesn't cover the Locking Collar.**

- 1.6 Support the Post and Ground Socket and concrete into position. Settle the concrete by pushing a thin stick into the mix several times.
- 1.7 Use a spirit level to check that the assembly is level. Slope the top surface of the concrete away from the post to provide drainage. (Figure 3).
- 1.8 Allow 48 hours for the concrete to set before use. Do not remove the post until the concrete has set.

Fig.3



\*Note: Please refer to the Hills Retracting Clothesline Manual and Hills Retracting Clothesline Post Kit Manual for further information about installation, assembly and use of the product. Refer to the Retracting Clothesline Post Kit Manual for details on adjusting the height to suit the user

4