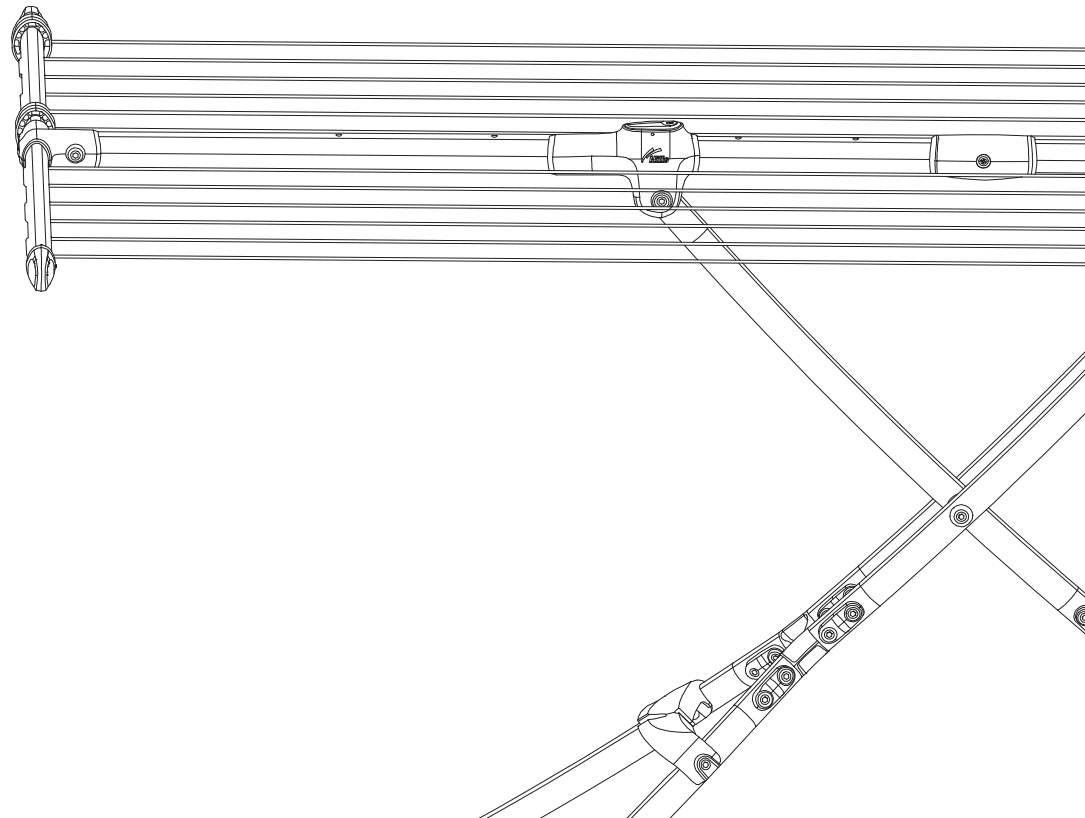




Hills®

**Portable
Clothesline**

Owner's Manual
80101687



Contacts

We are committed to providing you with complete customer satisfaction. If you have any questions or comments about our products or services please contact your nearest Customer Service Centre during their local business hours:

Australia

1300 327 293

New Zealand

0800 021 027

Email

hills@amesau.com

Hills Websites

Hills Home Living

hillshome.com.au

Hills Consumer Advice

hillshome.com.au/need-help



AMES Australasia Pty Ltd.

ABN 89 169 427 061

Issue July 2020

Hills Lifetime Warranty

AMES Australasia Pty Ltd warrants that this Hills product will be free from defects in manufacturing of the frame and lifting mechanisms for the lifetime of the original purchaser of the product. This warranty does not extend to plastic hanging line or the surface finish of the product from weathering. If a defect covered by this warranty becomes evident during that period, AMES Australasia Pty Ltd will, at its option, replace the product, supply replacement parts for the product or refund the product. The cost or labour required to install any replacement part or product supplied under a valid warranty claim is not covered.

In the event of a defect covered by this warranty, you should contact the Hills Customer Service Centre using the details below. You will require proof of purchase. Any expenses incurred in making a claim under this warranty are not covered by the warranty.

This warranty does not apply to any defect or damage caused by accident, improper use, abuse, neglect, or unauthorised alteration or repair. This warranty does not apply where the product was not installed in accordance with the product installation instructions. This warranty does not apply to any costs incurred in the installation of the product.

For products purchased in Australia

Our goods come with guarantees that cannot be excluded under the Australian Consumer Law. You are entitled to a replacement or refund for a major failure and compensation for any other reasonably foreseeable loss or damage. You are also entitled to have the goods repaired or replaced if the goods fail to be of acceptable quality and the failure does not amount to a major failure.

For products purchased in New Zealand

Our goods come with guarantees that cannot be excluded under the Consumer Guarantees Act. AMES Australasia Pty Ltd will comply with our obligations to you under the Consumer Guarantees Act.

12

AMES Australasia Pty Ltd.
ABN 89 169 427 061
Level 1, 660 Doncaster Road,
Doncaster, VIC 3108 Australia

Introduction

Congratulations!

Congratulations on the purchase of your new **Hills Portable clothesline** which will bring you many years of trouble free and efficient drying. It is important that you read this Owner's Manual thoroughly before installation and use. In this way you will benefit from all the design features and enjoy safe use of the product.

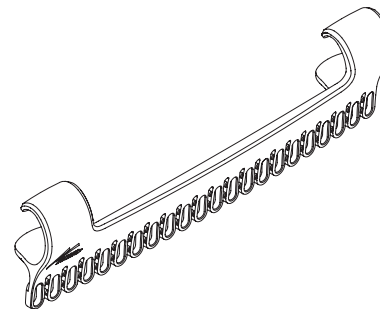
Thank you for choosing Hills.

Warning

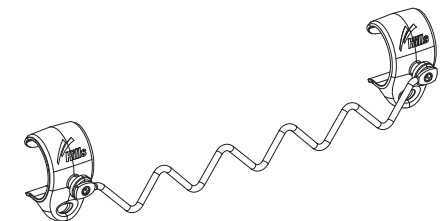
- Do not lower the clothesline in an uncontrolled manner as damage or injury may result.
- Never adjust the clotheslines height when it is loaded with washing.
- Never store the clothesline in the upright position on the end with wheels.
- Ensure when raising and lowering the clothesline that bystanders (in particular children) are standing clear.
- Do not allow children or pets to swing on the clothesline or items of laundry.
- Do not use for any purpose other than to hang and dry washing.
- Do not use the clothesline if parts are worn or damaged.

* Get the most out of your Hills product with our additional accessories sold separately.

Sock rail
Item # 80101663



Coat hanger rail
Item # 80101649



1

Carton contents

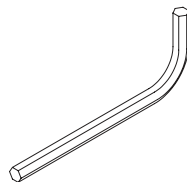
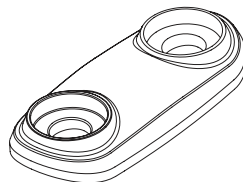
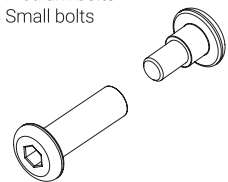
Hills Portable Clothesline.

Fixings Bag:

X2 Large bolts
X4 Medium bolts
X8 Small bolts

X8 Bolt bushes

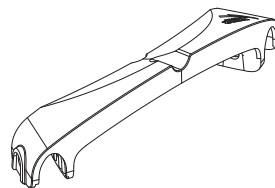
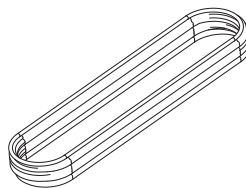
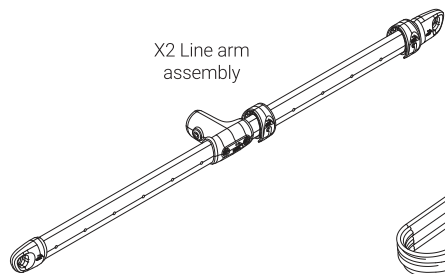
X2 Hex keys



X2 Line arm assembly

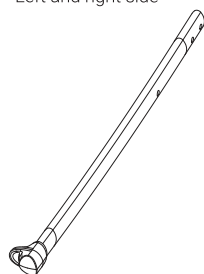
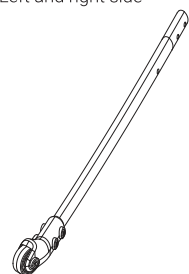
X2 Lines

X2 Leg braces

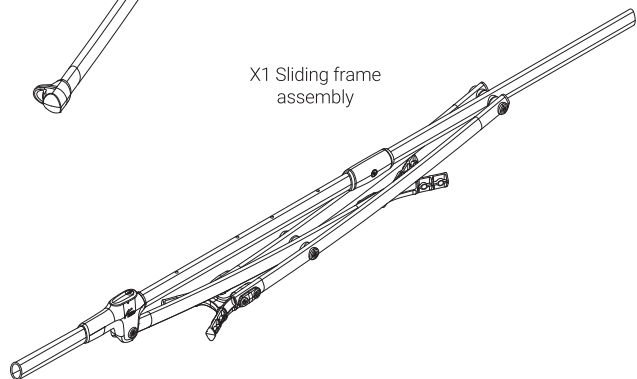


X2 Wheel legs
Left and right side

X2 Fixed legs
Left and right side



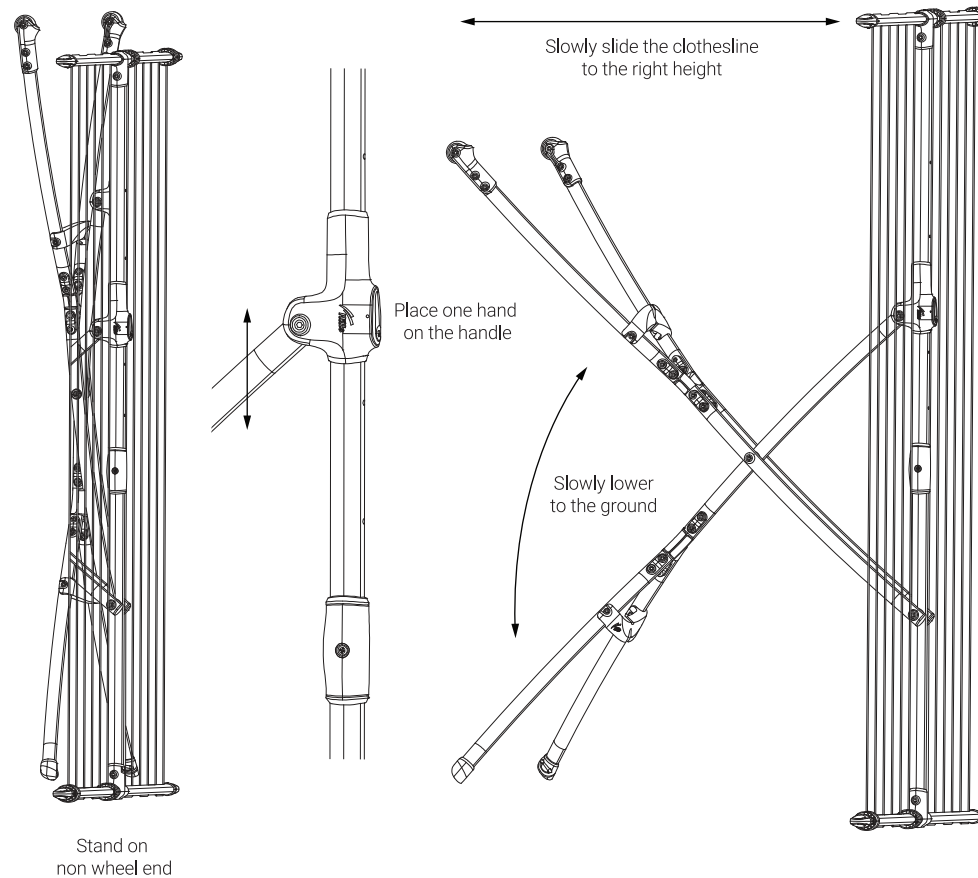
X1 Sliding frame assembly



2

5.2 Method 2: Position your clothesline in the vertical position. Press the lock button and slide the legs to the adequate height. Slowly lower the clothesline to the ground. (Figure 8)

Fig.8



11

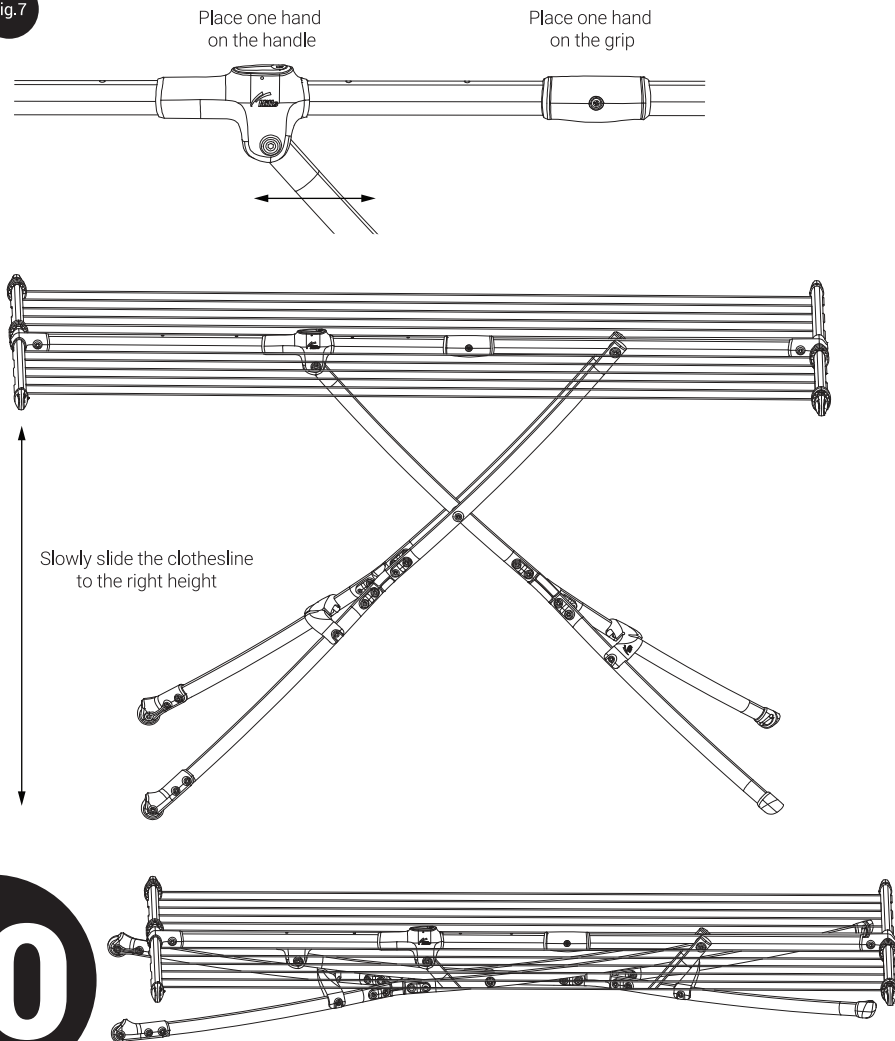
Using your clothesline

WARNING

- Do not lower the clothesline in an uncontrolled manner as damage or injury may result.
- Never adjust the clotheslines height when it is loaded with washing.

5.1 **Method 1:** Always operate your unit with two hands. Place one hand on the grip and your other hand on the handle with the locking button. Press down on the button lock and slide the clothesline into the appropriate height. Release the button as you slide until you hear the lock click into location. (Figure 7)

Fig.7

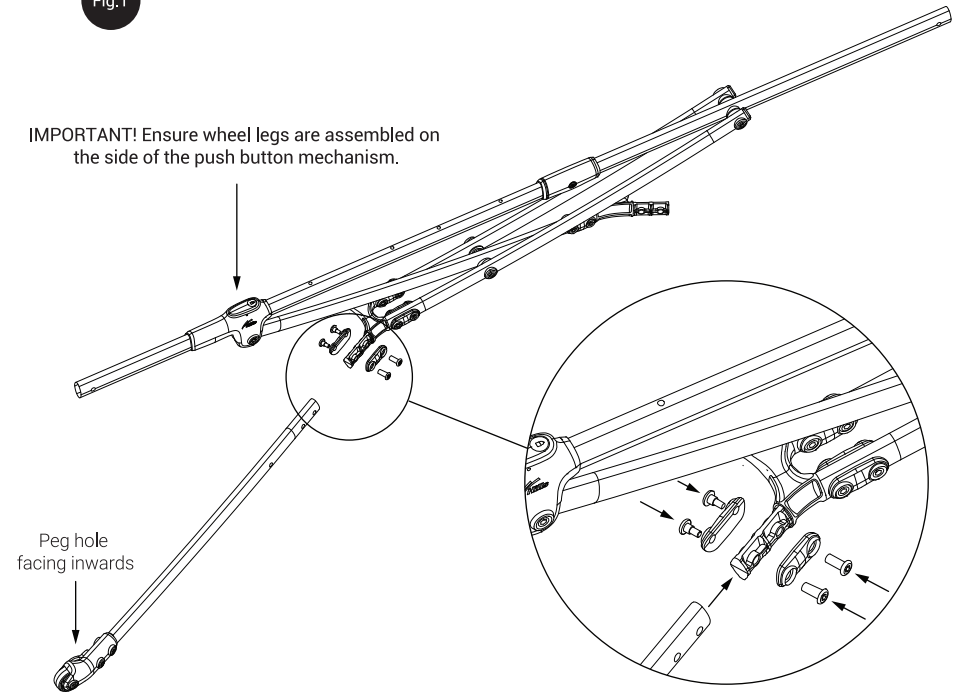


10

Attach the legs

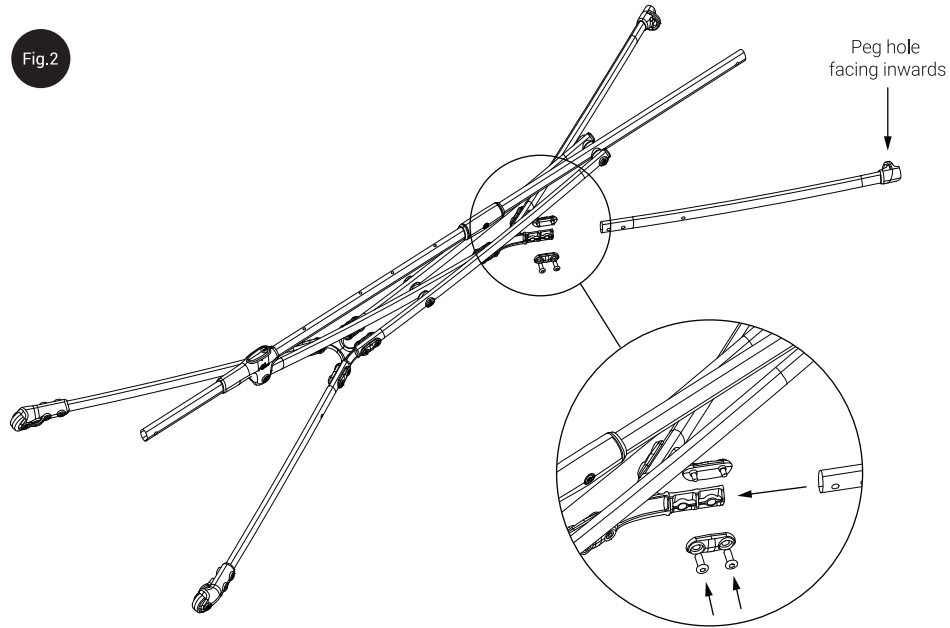
- 1.1 Attach wheel legs to the brackets below the button mechanism of the sliding frame assembly. Ensure the wheel peg holes are facing inwards.
- 1.2 Using the small Chicago bolts, slide them through the plastic bushes on both sides and tighten into position with the hexagonal key provided. Repeat on opposite side. (Figure 1)

Fig.1

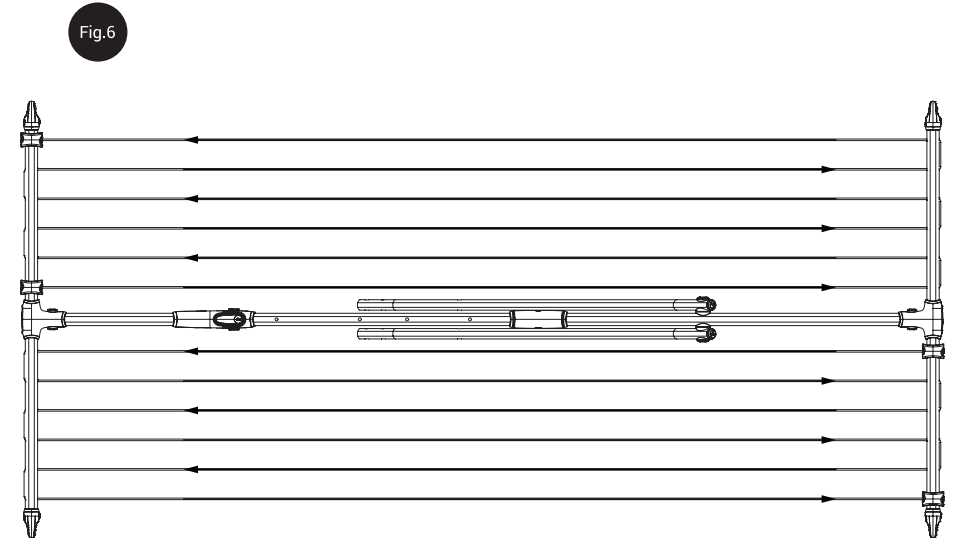


3

- 1.3 Attach fixed legs to opposite side using the small Chicago bolts. Again, ensure the wheel peg holes are facing inward. (Figure 2)



- 4.3 Feed the line through the clothesline in alternating directions keeping tension as you go. (Figure 6)



- 4.4 While keeping tension, follow step 4.2 to tie off the line. Repeat steps on opposite side of the clothesline.

4

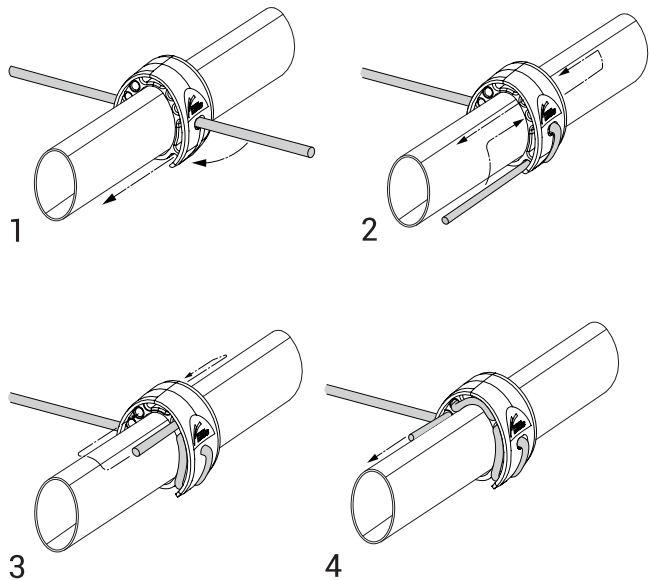
9

Attaching the line

*Note: Do not cut off the end of the line until it is installed on both sides of the clothesline.

- 4.1 Ensure the lines tie off clips are located over the first and last hole. Insert one end of the line through the tie off clip and metal arm, leaving enough of a tag end on the other side to secure it in position.
- 4.2 Guide the line through the channel. Wrap the line around the collar and pass the line through the first hole. pull the remaining tag through the second hole. (Figure 5)

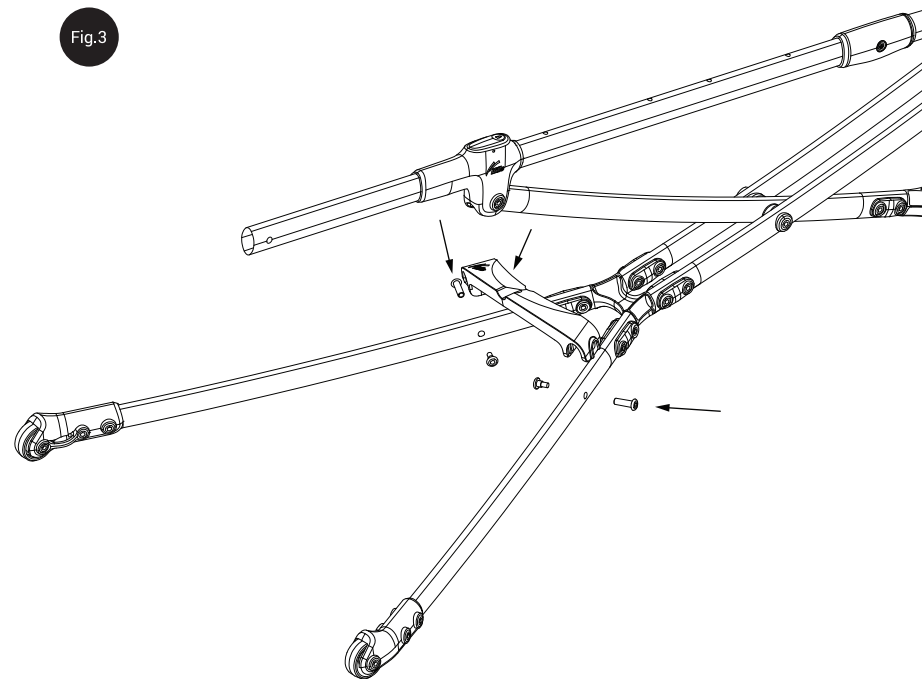
Fig.5



Attaching the leg brace

- 2.1 Place the leg brace on the legs. Insert the medium sized bolts and tighten into position on both sides. (Figure 3)

Fig.3



8

5

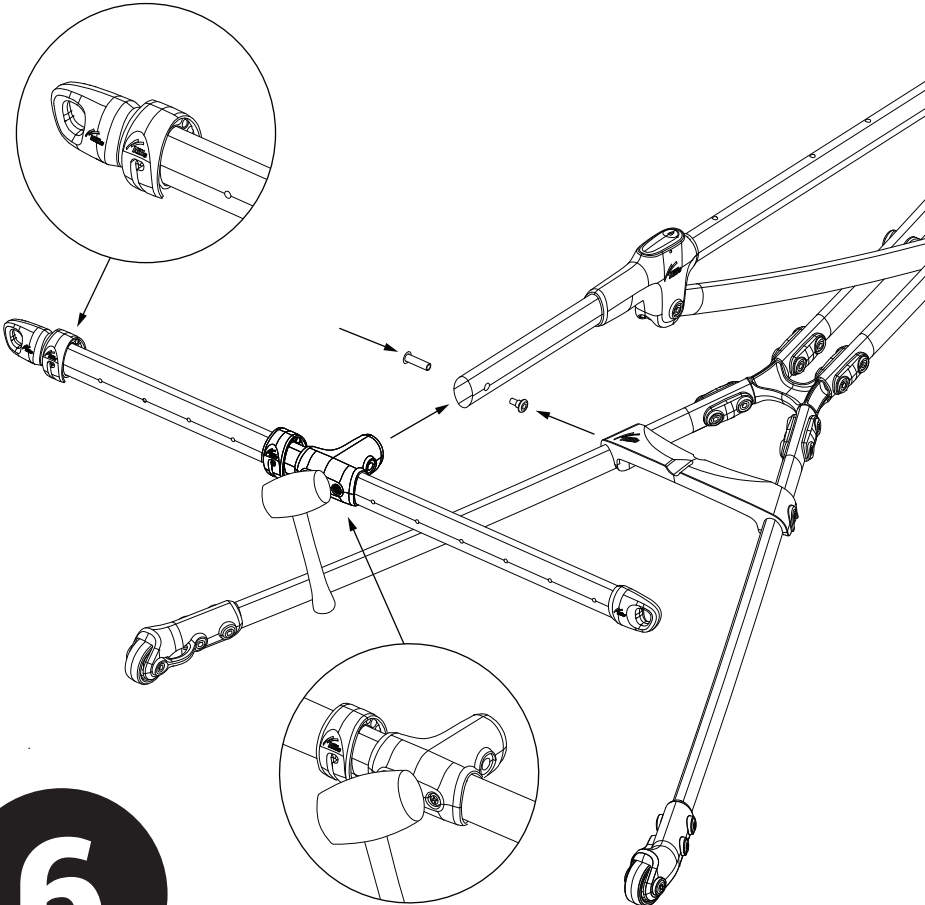
Attaching the line arms

3.1 Attach the line arms to either side of the sliding frame assembly and fasten into position with the large Chicago bolts. Ensure the line tie off clip slots are facing towards the ground. The tie of clips on the line arms should be on opposing sides of the clothesline. (Figure 4)

***Note:** This section is designed to be a tight fit when attached to the sliding frame. If you have trouble attaching the line arms, we recommend using a rubber mallet to assist with knocking the line arms into the frame.

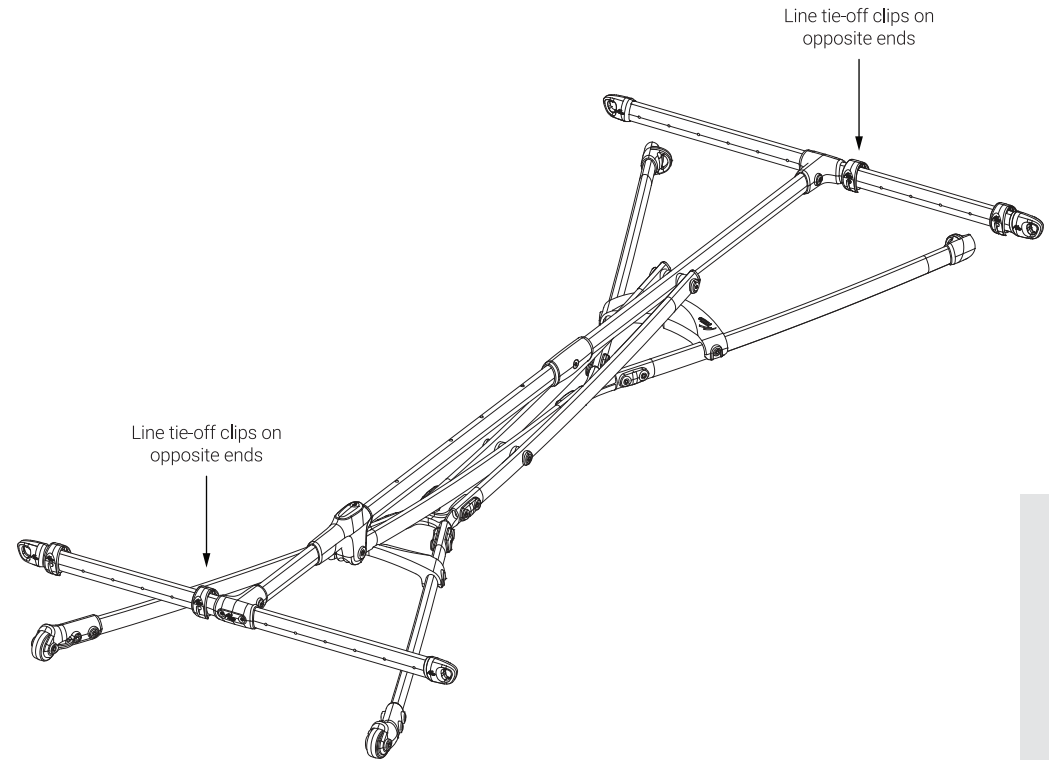
Fig.4

Ensure tie-off clip slot is facing downwards



***Note:** Use a rubber mallet to knock the centre of the line arm into the sliding frame.

6



7