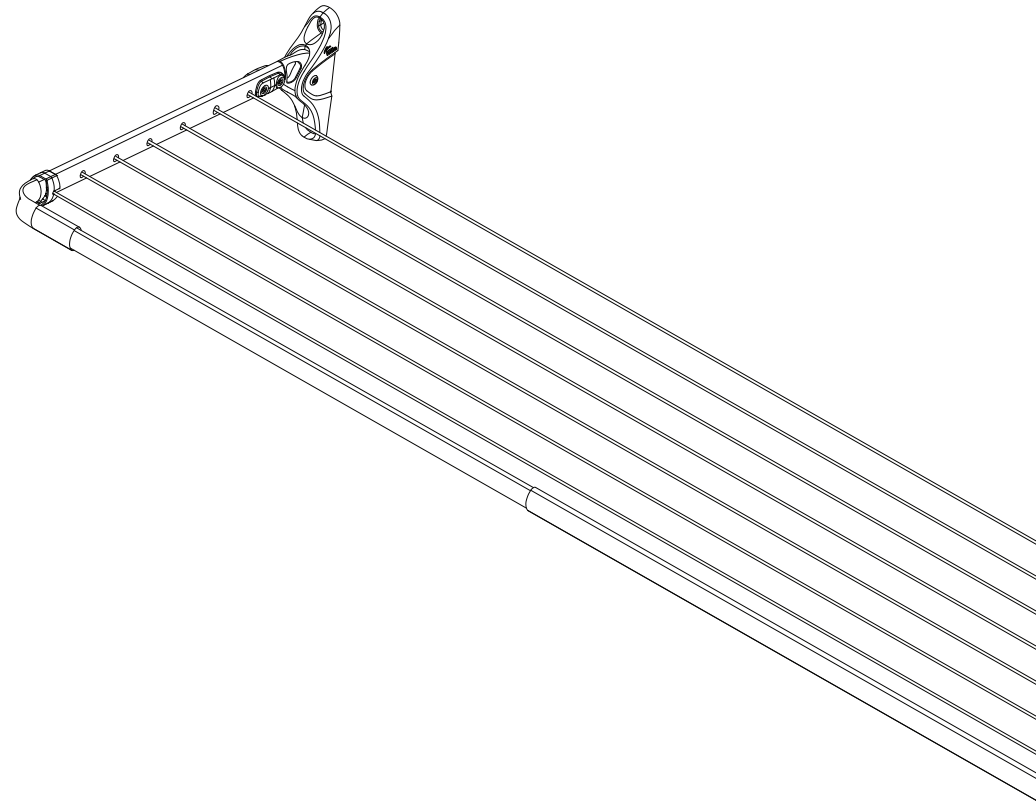




**Hills**®

**Long Folding Frame  
Clothesline**

Owner's Manual  
101063 & 80152962



# Contacts

We are committed to providing you with complete customer satisfaction.  
If you have any questions or comments about our products or services please  
contact your nearest Customer Service Centre during their local business hours:

## **Australia**

1300 300 564

## **New Zealand**

0800 021 027

## **Email**

[hhl.enquiries@amesau.com](mailto:hhl.enquiries@amesau.com)

## **Hills Websites**

### **Hills Home Living**

[hillshome.com.au](http://hillshome.com.au)

### **Hills Consumer Advice**

[hillshome.com.au/need-help](http://hillshome.com.au/need-help)



AMES Australasia Pty Ltd.

ABN 89 169 427 061

Issue August 2019

# Hills Lifetime Warranty

AMES Australasia Pty Ltd warrants that this Hills product will be free from defects in manufacturing of the frame and lifting mechanisms for the lifetime of the original purchaser of the product. This warranty does not extend to plastic hanging line or the surface finish of the product from weathering. If a defect covered by this warranty becomes evident during that period, AMES Australasia Pty Ltd will, at its option, replace the product, supply replacement parts for the product or refund the product. The cost or labour required to install any replacement part or product supplied under a valid warranty claim is not covered.

In the event of a defect covered by this warranty, you should contact the Hills Customer Service Centre using the details below. You will require proof of purchase. Any expenses incurred in making a claim under this warranty are not covered by the warranty.

This warranty does not apply to any defect or damage caused by accident, improper use, abuse, neglect, or unauthorised alteration or repair. This warranty does not apply where the product was not installed in accordance with the product installation instructions. This warranty does not apply to any costs incurred in the installation of the product.

## For products purchased in Australia

Our goods come with guarantees that cannot be excluded under the Australian Consumer Law. You are entitled to a replacement or refund for a major failure and compensation for any other reasonably foreseeable loss or damage. You are also entitled to have the goods repaired or replaced if the goods fail to be of acceptable quality and the failure does not amount to a major failure.

## For products purchased in New Zealand

Our goods come with guarantees that cannot be excluded under the Consumer Guarantees Act. AMES Australasia Pty Ltd will comply with our obligations to you under the Consumer Guarantees Act.

12

AMES Australasia Pty Ltd.  
ABN 89 169 427 061  
Level 1, 660 Doncaster Road,  
Doncaster, VIC 3108 Australia

# Introduction

## Congratulations

Congratulations on the purchase of your new **Hills Long Folding Frame Clothesline**, which will bring you many years of trouble free and efficient drying.

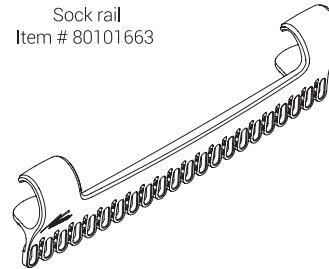
It's important that you read this Owner's Manual thoroughly before installation to benefit from the design features and enjoy safe use of this product. Thank you for choosing Hills.

## Warning

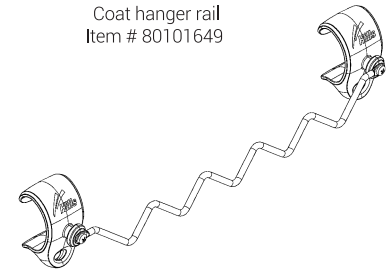
- Do not allow children or pets to swing on the Clothesline or items of laundry.
- Do not use for any purpose other than to hang and dry washing.
- Do not use your Clothesline if parts are worn or damaged.

\* Get the most out of your Hills product with our additional accessories sold separately.

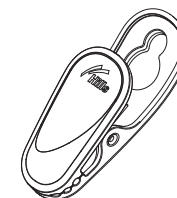
Sock rail  
Item # 80101663



Coat hanger rail  
Item # 80101649



Sheet and towel pegs  
Item # 80101670

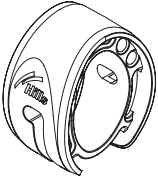


1

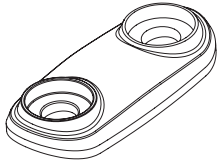
## Carton contents

Hills Long Folding Frame Clothesline.

X1 Line tie off clip



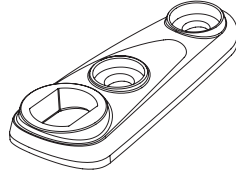
X2 Bolt bushes



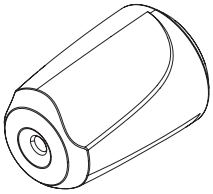
X1 Line tensioner bolt bush



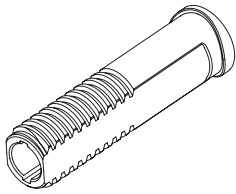
X1 Line tensioner guide



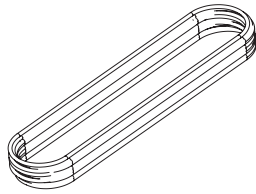
X1 Line tensioner dial



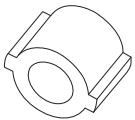
X1 Line tensioner threaded insert



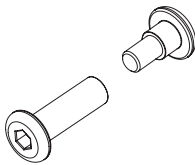
Line



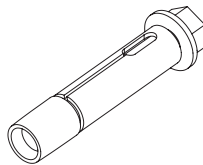
X1 Line tensioner sliding insert



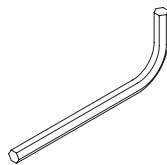
X4 Chicago bolts



X4 Wall fixings M8x70



X2 Hex keys



- 4.2 To lower the clothesline grip the frame in the middle and raise slightly above your head until you hear both folding brackets 'click' and the folding bracket indicators are in the unlocked position. (Figure 11)

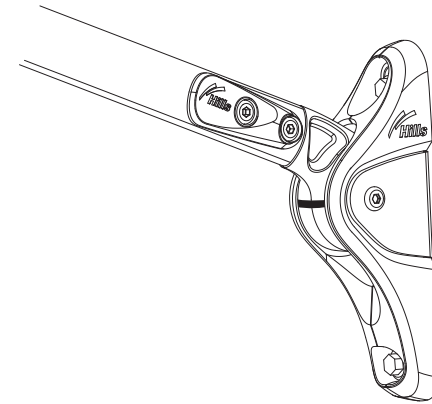


Fig.11

- 4.3 Holding the frame, guide to its closed position. (Figure 12)

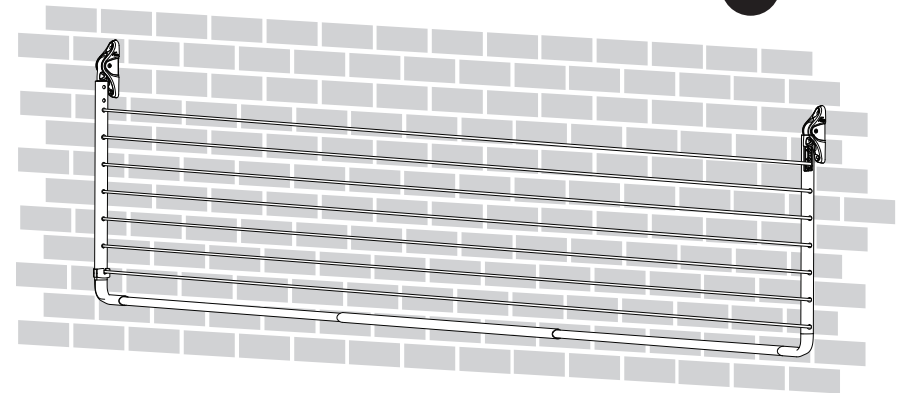
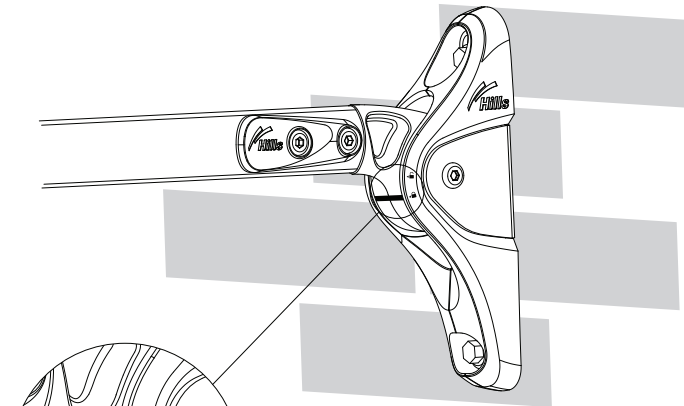
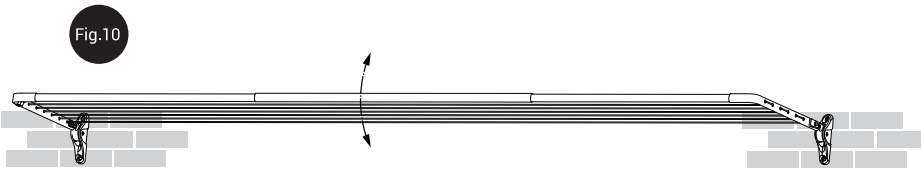


Fig.12

## Operating the folding clothesline

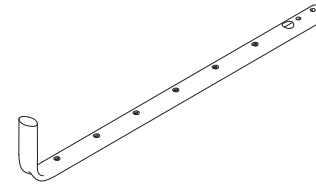
- 4.1 To raise and lock the clothesline, grip the frame in the middle and lift upwards until you hear both folding brackets 'click' and the folding bracket indicator is in the locked position. (Figure 10)



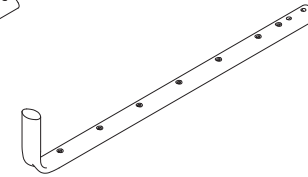
Lock indicator mark

10

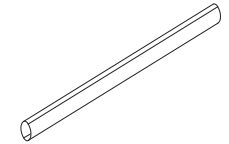
X1 Right arm



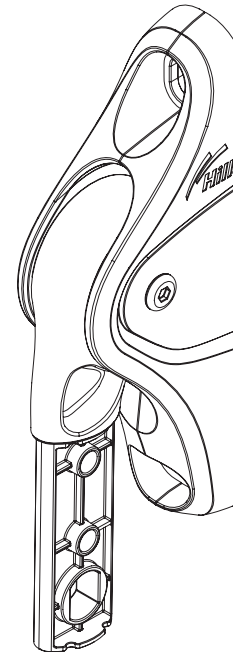
X1 Left arm



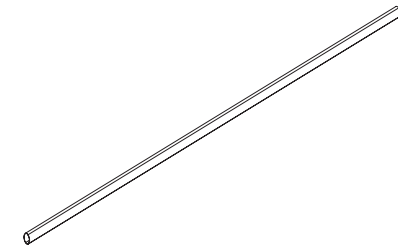
X1 Joining bar



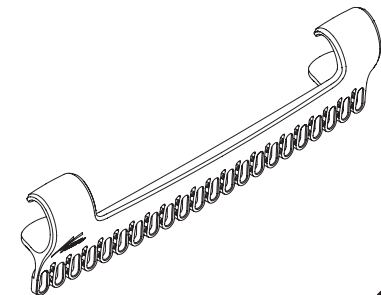
X2 Folding bracket mechanisms



X2 Front bar



X1 Sock rail accessory



3

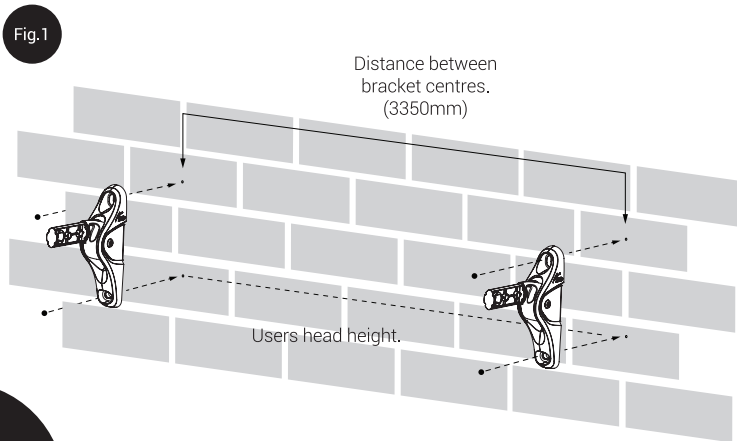
# Mounting Options

**\*Note:** This product must be installed onto sound structural surfaces. If mounting to a cladded surface, ensure the wall fixings are securely fastened into a solid substrate i.e wall studs etc. Consult your local hardware specialist for advice on which wall fixings are most suitable for your particular building structure.

## Mounting your folding clothesline to masonry walls

**\*Note:** The wall fixings included are for mounting to masonry materials only. For fixing to any other type of substrate, consult your local hardware specialist for advice on which wall fixings are most suitable.

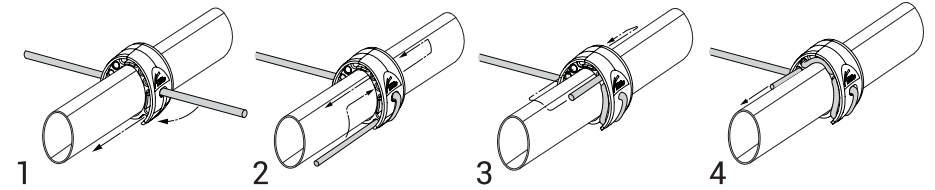
- 1.1 Hold the first bracket against the wall and use it as a template to mark where to drill the holes. Mark in the centre of the slots. Use a spirit level to ensure markings are vertical. We recommend the lowest mounting bolt is aligned with the user's head height.
- 1.2 Measure 3350mm from the first mounted bracket centre to identify the appropriate mounting distance for the second bracket. Mark the hole centres for the second bracket. Ensure the hole centres for both brackets are horizontal. (Figure 1)



4

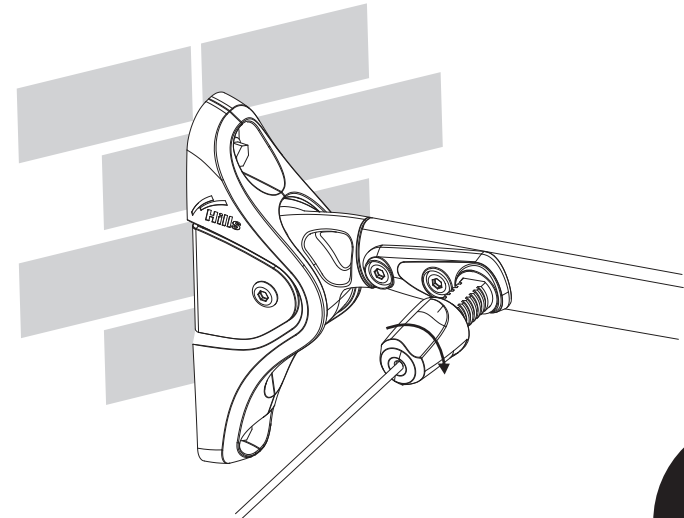
- 3.3 Once the line has been installed feed the line end through the tie off clip while keeping tension. Wrap the line around the collar and pass through the first hole. Pull the remaining line through the second hole. (Figure 8)

Fig.8



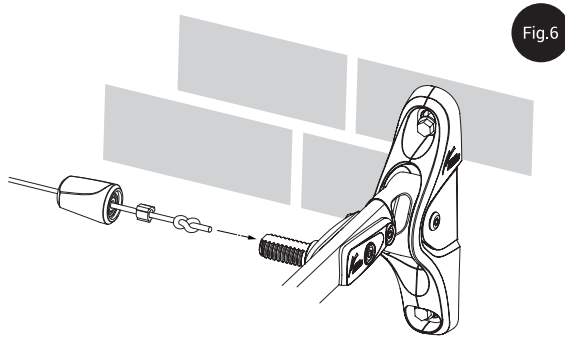
- 3.4 To tension the line, rotate the line tension dial in a clockwise direction until the lines are taut. (Figure 9)

Fig.9

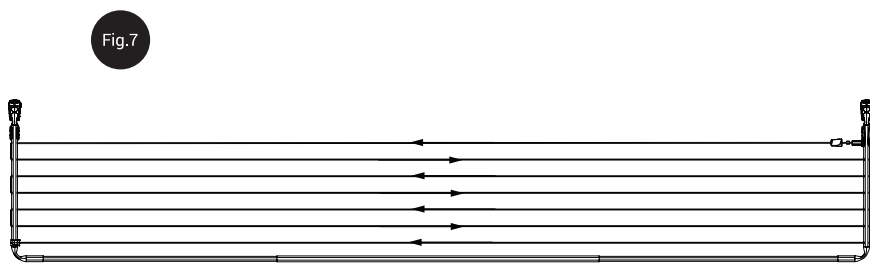


## Attaching the line

- 3.1 Feed the line through the line tensioner dial and sliding insert; then tie a simple small knot. Slide the knotted line into the threaded sleeve and tighten the dial onto the threaded insert. Tighten only two turns, allowing sufficient thread to tension later. (Figure 6)

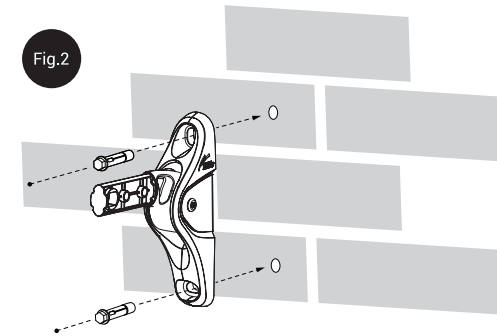


- 3.2 Feed the line through the clothesline in alternating directions keeping tension as you go. (Figure 7)



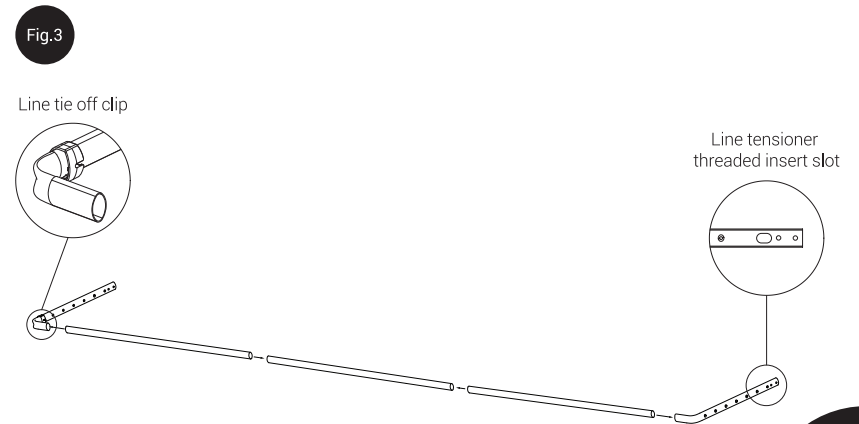
8

- 1.3 Drill the holes on the marked points with a 10 mm diameter drill bit. Clean the holes free from debris and dust before mounting the two folding brackets to the wall with the wall fixings provided. (Figure 2)



## Assemble the folding clothesline

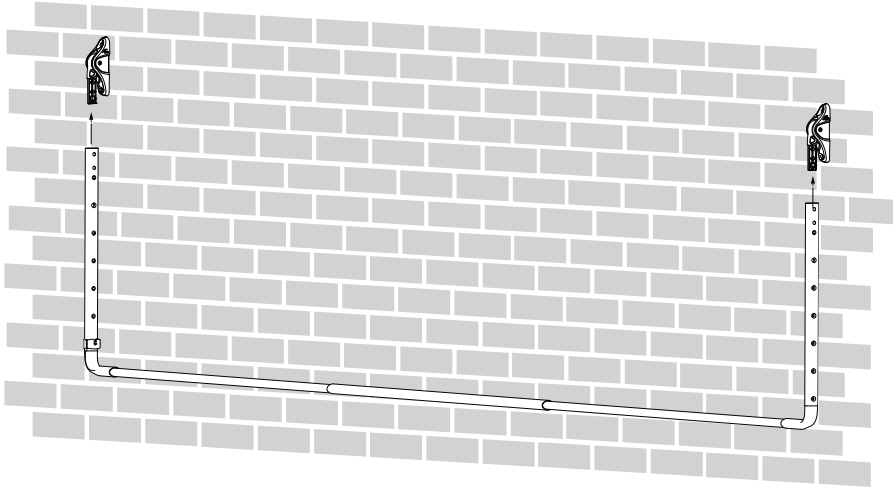
- 2.1 Insert the front bars into the joining bar, and then insert either end into the side arms. Ensure that the arm with the slot for the line tensioner insert is on the right-hand side. Slide the line tie off clip onto the left-hand side arm. (Figure 3)



5

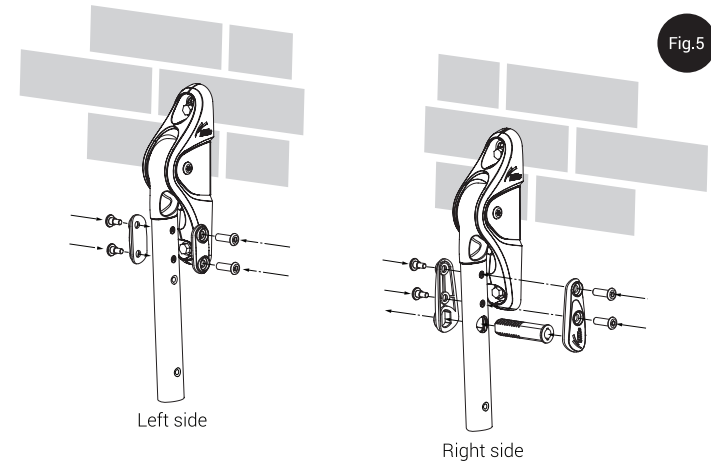
- 2.2 Ensure the mounted brackets are in the unlocked position. Ideally with two people, lift the clothesline frame up and insert the frame into the brackets. (Figure 4)

Fig.4



- 2.3 Starting with the right side, insert the line tensioner threaded insert through the hole in the arm. Assemble the line tensioner bolt bush and line tensioner guide around the insert and tighten into place using the chicago bolts.

- 2.4 On the left side, insert the remaining chicago bolts through bolt bushes and arm, and tighten into position. (Figure 5)



6

7