



Hills®

Heritage™ Rotary Hoist

Product Manual

Heritage Hoist 6-Line
Heritage Hoist 7-Line



Congratulations

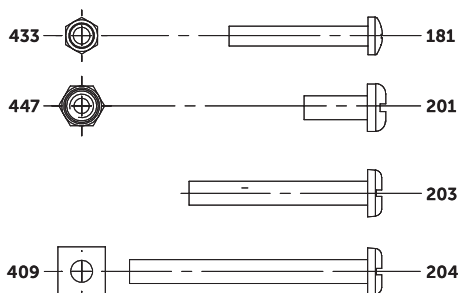
Congratulations on the purchase of your **Hills Heritage Hoist**, which will bring you many years of trouble free and efficient outdoor drying.

It is important that you read this Product Manual thoroughly before installation and use. In this way you will benefit from all the design features and enjoy safe use of the product.

Thank you for choosing Hills.

Warning

- Do not allow children or pets to swing on the Hoist or items of laundry.
- Do not use for any purpose other than to hang and dry washing.
- Do not use your Hoist if parts are worn or damaged.
- Patents and registered designs apply to this product.



Hoist Pack contents

ID	Part name	Qty.
796	Main Standard	1
795	Secondary Standard	1
793	Arm	4
794	Tube stay	4
789	Rod stay	4
788	Galvanised clothesline wire coil	1
	Accessory pack	1

Accessory Pack contents

ID	Part name	Qty.
791	Top cap – upper	1
792	Top cap – lower	1
787	Arm stay bracket	4
752	Arm end cap	4
181	Screw RHMT M5 x 35mm	4
201	Screw RHMT M6 x 16mm	4
203	Screw RHMT M6 x 45mm	4
204	Screw RHMT M6 x 60mm	1
434	Nyloc nut M5	4
447	Nyloc nut M6	4
409	Square nut M6	5

Please retain this Product Manual. Record the following information for future reference.

Product Number (printed on label): FD _____

Date of purchase: _____

Name and location of store: _____



Designed and tested under a Quality System that meets Hills demanding quality specifications.

Made in China

Select a Suitable Location

Minimum recommended clearance on all sides of the Hoist is 1m (3'-3") (Fig. 1).

Install the Main Standard

1. Dig a 200mm (8") by 800mm (32") hole (Fig. 2).
 2. Dig the hole deeper than 800mm if you would like the clothesline to sit lower in the ground.
 3. Fill with 150mm coarse gravel
 4. Insert main standard 796 into the hole.
 5. Concrete into position.
Concrete should be damp enough to hold together when squeezed in your hand.
- Settle the concrete by pushing a thin stick into the mix several times.
- Ensure the main standard is vertical.
5. Wait 48 hours for concrete to set.

Fig. 1

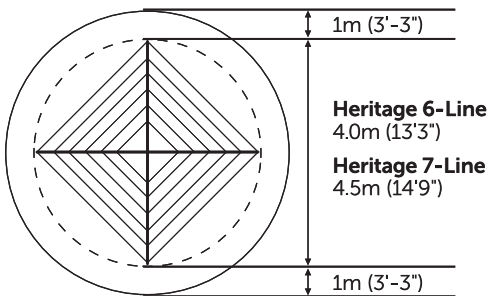
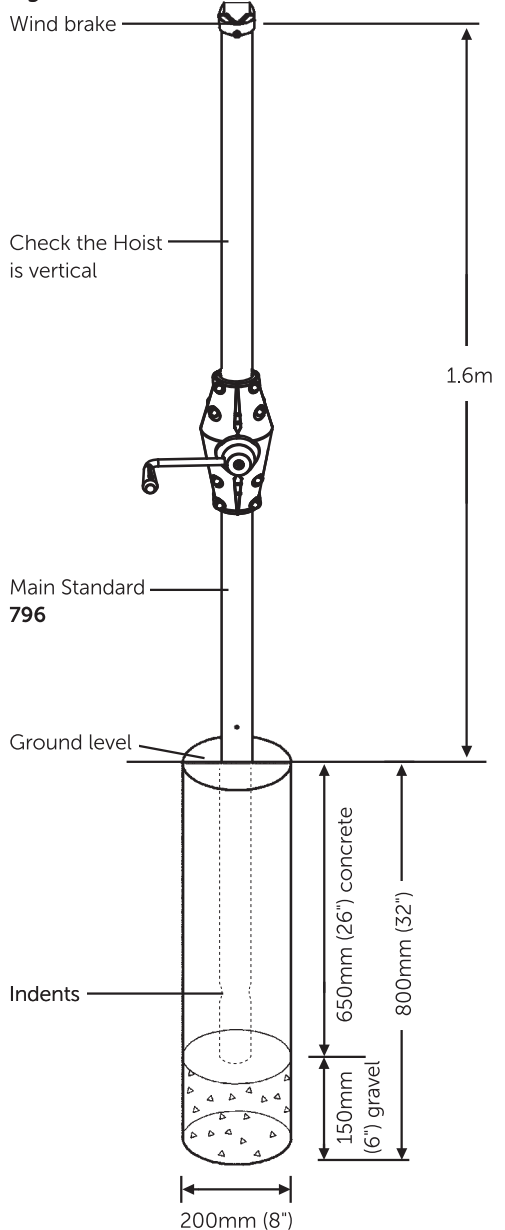


Fig. 2

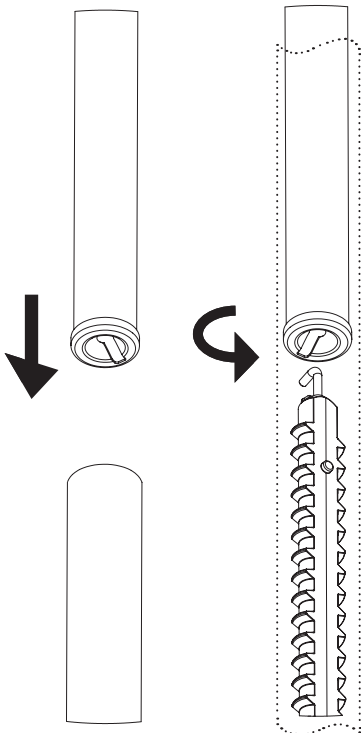


Secondary Standard Assembly

IMPORTANT:

1. Remove the wind brake and plastic ring from the top of the Main Standard assembly by loosening the securing screw.
2. Insert secondary standard **795** into top of main standard.
3. Rotate secondary standard **795** until worm hook slides through the slot in stabiliser plug (**Fig 3**).
4. Drop the wind brake and plastic ring on the top of the secondary standard. Slide them back down to their original position and screw into place.

Fig. 3



Note: Main Standard tube shown in dotted line for illustration purposes.

Arm and Stay Assembly

1. Fit top cap lower assembly **792** to secondary standard assembly **795** and fasten securely with screw **204** and nut **409** (**Fig. 5**).
2. Locate arm stay bracket **787** onto the arm **793** and align the mount holes.
Ensure the bracket is assembled as per **Fig 6** (with staples up).
3. Squeeze the arm stay bracket **787** together and fasten securely with screws **181** and nuts **434** (**Fig. 6**).
4. Fit tube stays **794** to arm stay brackets **787** and fasten securely with screws **201** and nuts **447** (**Fig. 6**).
5. Place the arms into the cross and assemble the tube stay into the top cap assembly **791** and **792** with the screw **203**.
Note: Do not fit the nut yet.
6. Repeat step 5 for the other three arms.
For Model 4 fit nuts **409** to screws **203** now.
For Model 5 refer to step 7.
7. For Model 5, hook the inner rod stays **789** into the innermost staples on the arms.
Position other end underneath the top cap lower assembly **792** and onto screw **203**.
Fit nuts **409** and tighten.
8. Fit end caps **752** to the end of each arm.

Fig. 4

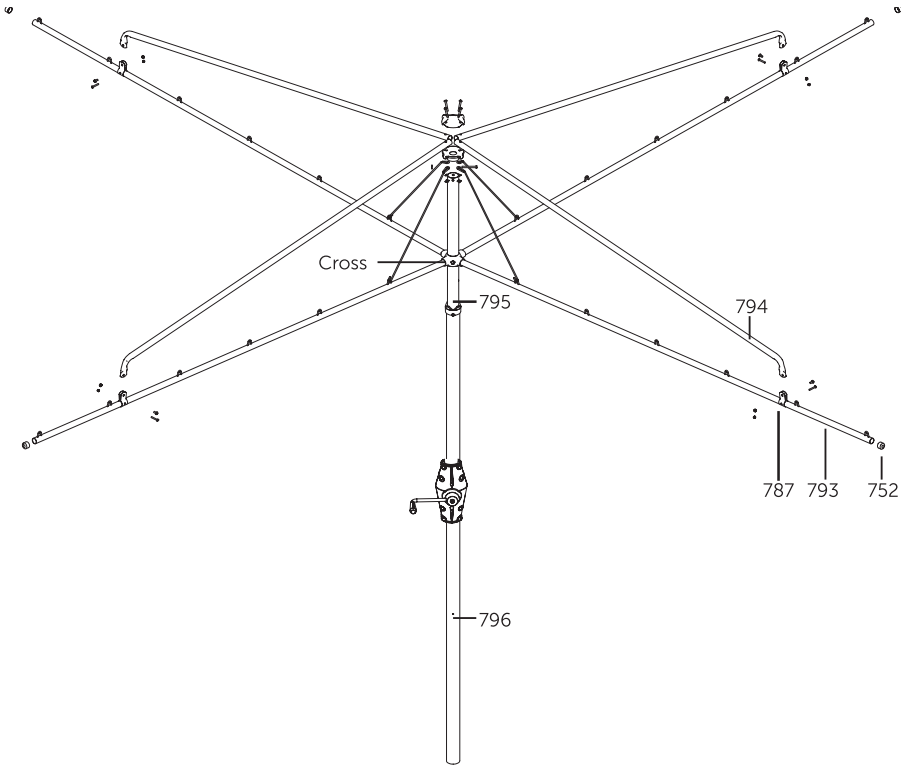


Fig. 5

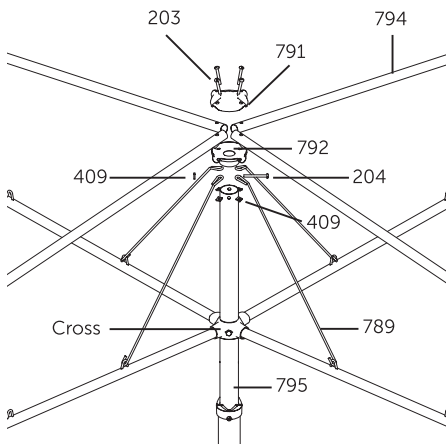
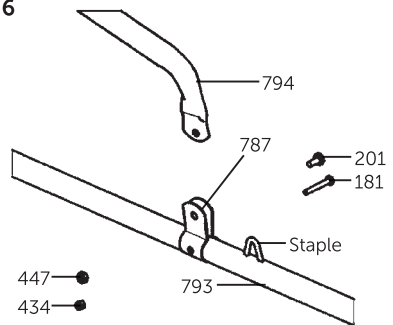


Fig. 6



Wire Assembly

Note: Each circuit is wired separately. Wire cutters and pliers are needed to complete this job.

1. Unroll the wire.

Start with the innermost circuit
Thread wire through each staple
Tie off the wire at the starting point.
Take up any 'slack' and at each staple kink the wire with your thumb to keep the line tight, making sure the arms are not pulled out of line with the opposite arm.

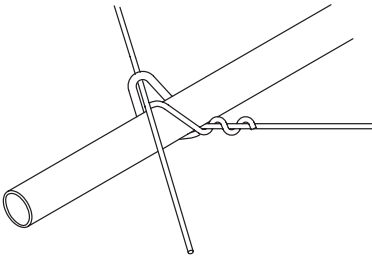
Cut the wire at approximately 125mm (5") for tie off.

2. Repeat step 1 for all other staples working outwards from the centre.

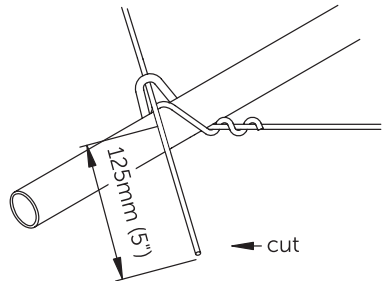
Note: Tie off all wires on one arm. Keep arms square to each other when tensioning lines.

Always wear protective safety glasses when 'wiring-up' your clothesline.

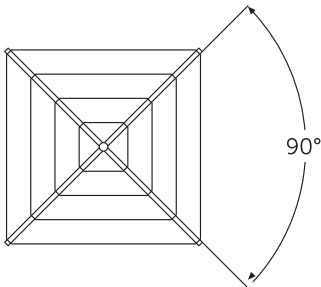
Fig. 7 1. Feed the lines through the staples and tie off at one end.



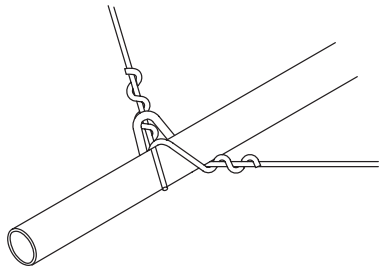
2. Pull lines through staples, tension and cut to length.



Important: Keep arms square to each other when tensioning the lines.



3. Tie lines onto arms.



Handle Assembly

1. Ensure that the bolts and nuts on the handle case have not worked loose during transportation.
Re-tighten if needed.

2. The handle must be assembled before use of the Hoist.

Remove the screw from the handle cover.

Remove the cover and fit the handle as shown (**Fig. 8**).

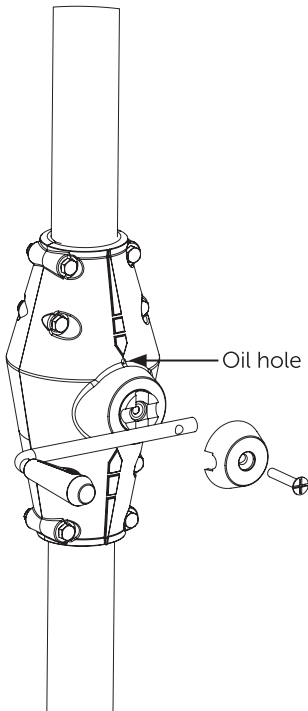
Insert and tighten the screw to secure assembly.

3. Raise the head of the Hoist at least six full turns so that it is free to rotate.

Note: Never leave the Hoist with the cross and wind brake engaged. Use the brake only when you are pegging out the washing and taking it off.

Note: Stop turning the handle when winding down the hoist if you feel resistance. Do not continue to turn the handle if it is not easily free to rotate.

Fig. 8



Hills Handy Hints

- Commence hanging the washing on the inside line starting with the smallest garments and work your way outwards.
- The wind brake assists in the pegging and unpegging of clothes on a windy day by restricting the free rotation of the Hoist. It can be engaged by winding the Hoist fully down.
- To save excess walking, rotate the Hoist by pulling one arm and the wind brake will position in the next bay for loading.
- After hanging out your washing it is recommended that the handle be wound up at least six full turns to disengage the wind brake.
- For faster drying elevate the Hoist fully to collect any breeze. The rotating action of the Hoist gives natural spin drying of your washing.

Care and Maintenance

It is a good idea to occasionally inspect all components and check for wear and tear or damage. If there is any damage, parts should be replaced with original Hills spares or the Hoist repaired before using again.

The Hoist should be periodically wiped clean with a damp cloth and mild detergent.

1. To lubricate the worm gear and handle assembly perform the following:
 - a. Apply a few drops of oil through the oil hole in the gear case above the handle shaft (**Fig. 8**). Use any light grade oil or Lanolin based lubricant.

Note: Should the Hoist squeak when rotating, wind the Hoist up and apply (rub) a small amount of bar soap on the elevated section of the secondary standard **795 (Fig.4)**.

10-Year Warranty*

*In addition to other rights and remedies that may be available under any applicable law, Cyclone Tools Pty Ltd warrants to the purchaser of the product (customer) that this Clothesline will be free from defects in workmanship and materials for 10 years and the Galvanised Wire for 1 year from the date of purchase of the product. If a defect in material or workmanship becomes evident during that period, Cyclone Tools Pty Ltd will, at its option, either:

- replace the product; or
- refund to the customer the purchase price paid by the customer for the product.

In the event of such a defect, the product should be returned to the place of purchase of the product by the customer, together with proof of purchase, for replacement or refund. Any handling and transportation (and other expenses incurred in claiming under this warranty) are not covered by this warranty and will be borne by the customer, not Cyclone Tools Pty Ltd.

The obligation of Cyclone Tools Pty Ltd under this warranty is limited to the circumstances set out above and is subject to:

- the product not having been altered, tampered with or otherwise dealt with by any person in a manner other than as intended in respect of the relevant product; and
- the product not having been used or applied in a manner that is contrary to customary usage or application of the relevant product or contrary to any stated instructions or specification of Cyclone Tools Pty Ltd (or its related bodies corporate).

For products purchased in Australia:

Our goods come with guarantees that cannot be excluded under the Australian Consumer Law. You are entitled to a replacement or refund for a major failure and compensation for any other reasonably foreseeable loss or damage. You are also entitled to have the goods repaired or replaced if the goods fail to be of acceptable quality and the failure does not amount to a major failure.

For products purchased in New Zealand:

Our goods come with guarantees that cannot be excluded under the Consumer Guarantees Act. Cyclone Tools Pty Ltd will comply with our obligations to you under the Consumer Guarantees Act.

Cyclone Tools Pty Ltd
ABN 89 169 427 061
Level 1, 660 Doncaster Road,
Doncaster Vic 3108
Phone: 1300 300 564

Email: hhl.enquiries@amesau.com

Hills Contacts

We are committed to providing you with complete customer satisfaction. If you have any questions or comments about our products or services please contact your nearest Customer Service Centre during their local business hours:

Australia

1300 300 564

New Zealand

0800 021 027

Email

hhl.enquiries@amesau.com

Hills Websites

hillshome.com.au

Hills Home Living

hillshome.com.au/need-help/

Hills Consumer Advice

Cyclone Tools Pty Ltd.
A.B.N. 89 169 427 061
Issue May 2017
HD10842c

