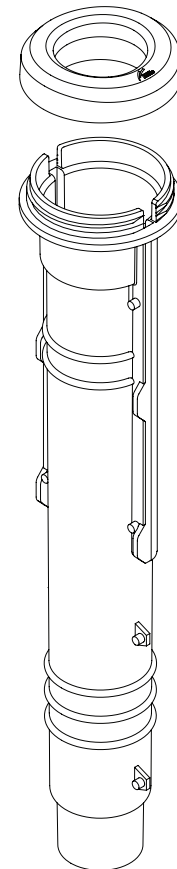




## Rotary Clothesline Ground Socket

Owner's Manual  
80101618



# Contacts

We are committed to providing you with complete customer satisfaction. If you have any questions or comments about our products or services please contact your nearest Customer Service Centre during their local business hours:

## **Australia**

1300 300 564

## **New Zealand**

0800 021 027

## **Email**

[hhl.enquiries@amesau.com](mailto:hhl.enquiries@amesau.com)

## **Hills Websites**

### **Hills Home Living**

[hillshome.com.au](http://hillshome.com.au)

### **Hills Consumer Advice**

[hillshome.com.au/need-help](http://hillshome.com.au/need-help)



AMES Australasia Pty Ltd.

ABN 89 169 427 061

Issue January 2020

# Hills Warranty

AMES Australasia Pty Ltd warrants that this Hills product will be free from defects in manufacturing for one year. If a defect covered by this warranty becomes evident during that period, AMES Australasia Pty Ltd will, at its option, replace the product, supply replacement parts for the product or refund the product. The cost or labour required to install any replacement part or product supplied under a valid warranty claim is not covered.

In the event of a defect covered by this warranty, you should contact the Hills Customer Service Centre using the details below. You will require proof of purchase. Any expenses incurred in making a claim under this warranty are not covered by the warranty.

This warranty does not apply to any defect or damage caused by accident, improper use, abuse, neglect, or unauthorised alteration or repair. This warranty does not apply where the product was not installed in accordance with the product installation instructions. This warranty does not apply to any costs incurred in the installation of the product.

## For products purchased in Australia

Our goods come with guarantees that cannot be excluded under the Australian Consumer Law. You are entitled to a replacement or refund for a major failure and compensation for any other reasonably foreseeable loss or damage. You are also entitled to have the goods repaired or replaced if the goods fail to be of acceptable quality and the failure does not amount to a major failure.

## For products purchased in New Zealand

Our goods come with guarantees that cannot be excluded under the Consumer Guarantees Act. AMES Australasia Pty Ltd will comply with our obligations to you under the Consumer Guarantees Act.

8

AMES Australasia Pty Ltd.  
ABN 89 169 427 061  
Level 1, 660 Doncaster Road,  
Doncaster, VIC 3108 Australia

# Introduction

## Congratulations!

Congratulations on the purchase of your new **Hills Rotary Clothesline Ground Socket**. It is important that you read this manual thoroughly before installation and use to benefit from all the design features, and enjoy safe use of the product.

Thank you for choosing Hills.

Please refer to the Hills Rotary Clothesline Manual for warnings regarding the safe use of the product.

This Ground Socket is compatible with previous Hills Rotary Clothelines. If unsure, contact Hills Customer Service.

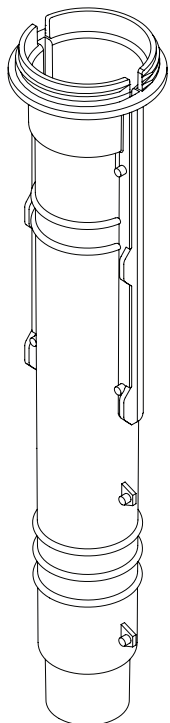
**WARNING: Follow the instructions carefully. Do not push the Ground Socket into wet concrete when installing.**

1

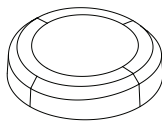
## Carton contents

Hills Rotary Clothesline Ground Socket.

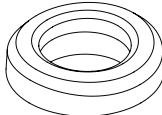
X1 Ground Socket



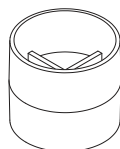
X1 Locking cover



X1 Locking collar



X2 Plastic spacers



### \*Required Materials and Tools (Not included)

- Pre-mix concrete
- Coarse gravel
- Tape measure
- Spirit level

1.9 Use a spirit level to check that the assembly is still vertical.

1.10 Leave the Main Standard in the Ground Socket until concrete has set.  
Allow 24 hours for concrete to set before final assembly.

**\*Note:** Please refer to the Hills Rotary Clothesline Manual for further information about installation, assembly and use of the product.

2

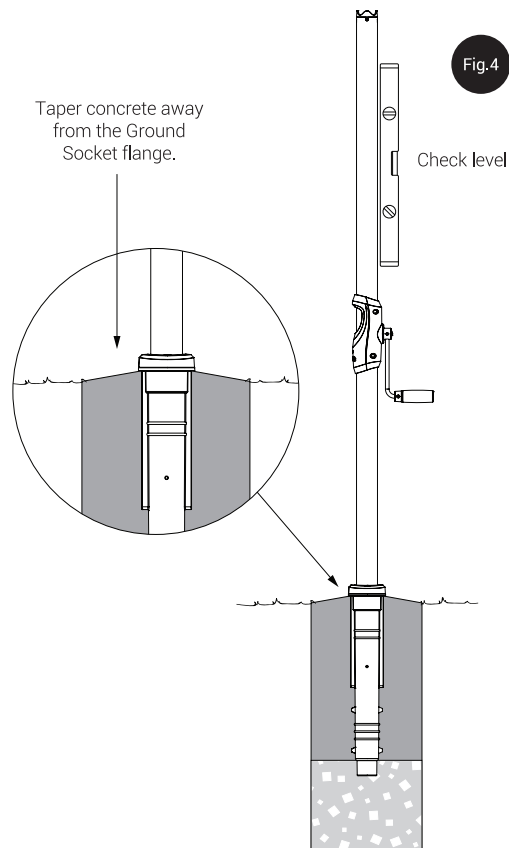
7

- 1.6 Prepare the concrete mix. Concrete should be damp enough to hold together when squeezed in your hand.

**WARNING: Do not push the Ground Socket into setting concrete. Ensure concrete doesn't cover the Locking Collar**

- 1.7 Support the Main Standard into position and pour concrete mix around the Ground Socket. Check the Main Standard is vertical with a spirit level. Ensure the concrete finishes below the Locking Collar flange and pole. Taper away from the top flange so rain water runs away from the Ground Socket.

- 1.8 Leave the Main Standard in the Ground Socket until the concrete has set. Allow 24 hours for the concrete to set before final assembly. (Figure 4)



6

# Installation

## Select a suitable installation location

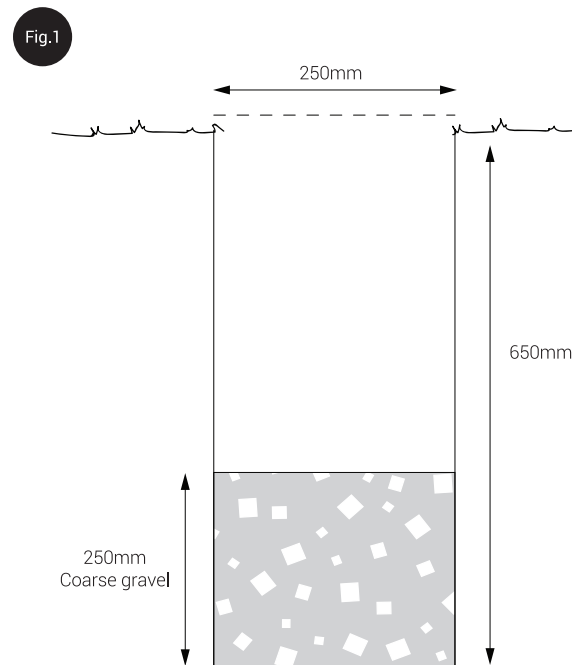
\*Note: Before beginning installation, please thoroughly read the Rotary Clothesline manual to determine a suitable location and installation height requirements.

Select a suitable location which allows 0.5m clearance around your Rotary Clothesline. Consider whether you would like the line in full shade, and whether there are any trees that may drop leaves or debris.

## Install the Ground Socket

**WARNING: Do not push the Ground Socket into setting concrete. It's important to follow the instructions and pour wet concrete around the Ground Socket.**

- 1.1 Dig a hole 250mm diameter by approximately 650mm deep. Place approximately 250mm of coarse gravel into the hole. This ensures water can drain from the Ground Socket. (Figure 1)



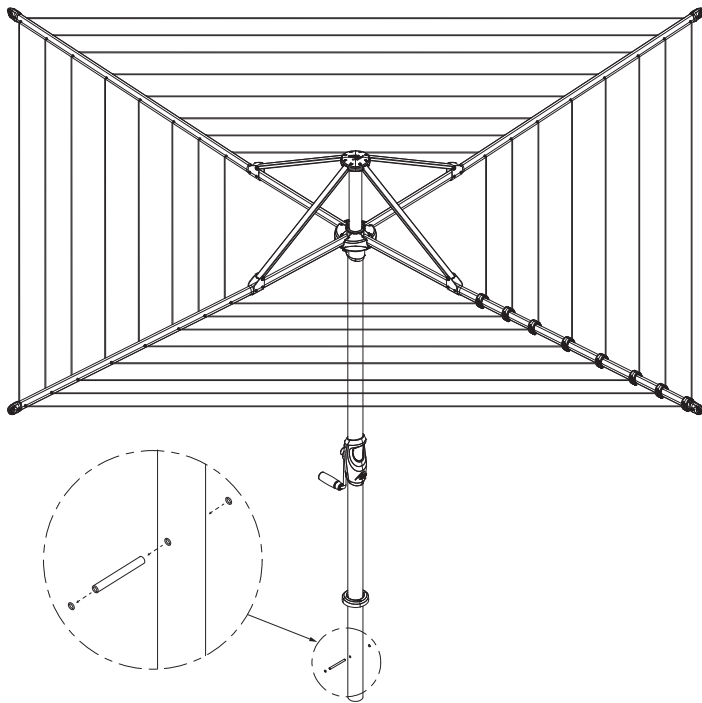
3

1.2 Remove the Locking Pin from your Hills Rotary Clothesline Main Standard\* (Figure 2)

1.3 Slide the Locking Collar onto the Main Standard. Re-attach the locking pin. Ensure the O-Rings are slid on either side to hold the locking pin in place.

\*Note: Pin assembly may vary in other rotary clotheslines

Fig.2



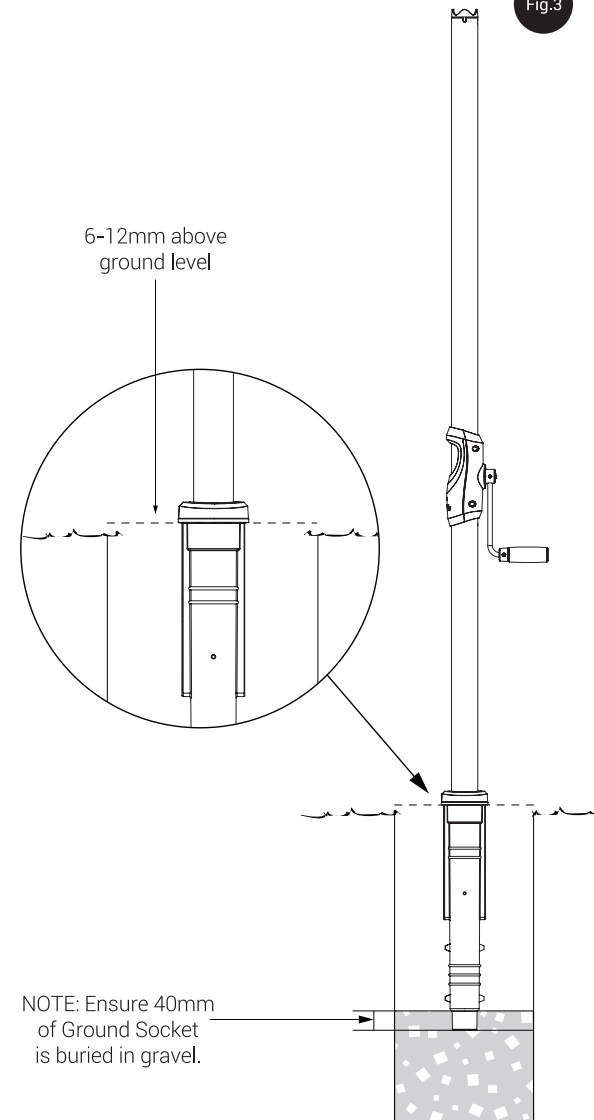
1.4 Insert the Main Standard into the Ground Socket, guiding the index Pin into the x2 grooves in the Ground Socket. Screw the Locking Collar onto the Ground Socket.

\*Main Standard is included with your Hills Rotary Clothesline

4

1.5 Place the Ground Socket and Main Standard into the hole. Push the base of the Ground Socket into the gravel. Ensure there is approximately 40mm of the Ground Socket buried into the gravel. Ensure the top of the Ground Socket sits approximately 6-12mm above the ground level. (Figure 3)

Fig.3



5