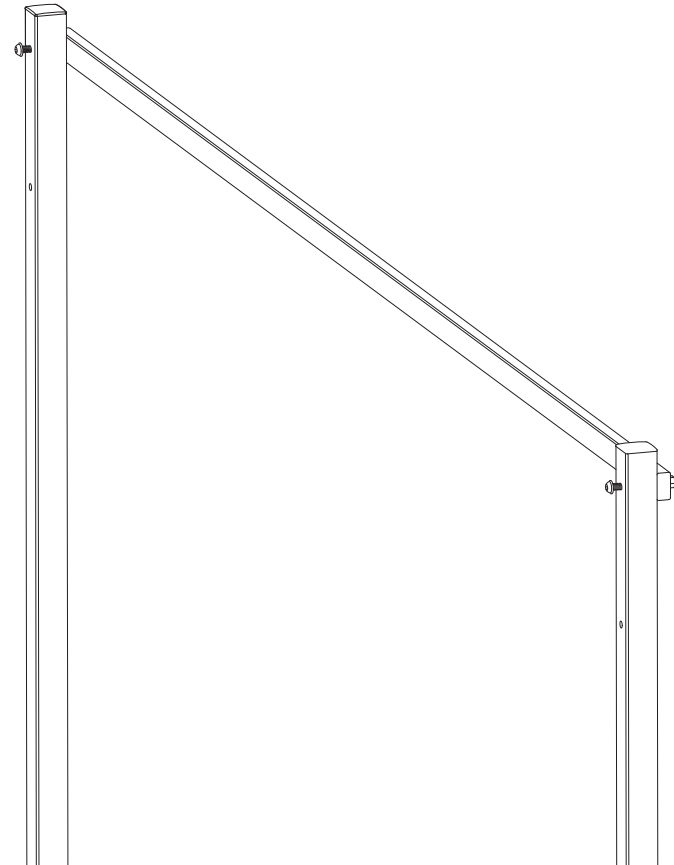




Folding Post Kit

Owner's Manual
80150722 & 80150739



Contacts

We are committed to providing you with complete customer satisfaction. If you have any questions or comments about our products or services please contact your nearest Customer Service Centre during their local business hours:

Australia
1300 327 293

New Zealand
0800 021 027

Email
hills@amesau.com

Website
hillshome.com.au

Consumer Advice
hillshome.com.au/need-help



AMES Australasia Pty Ltd.
ABN 89 169 427 061
Issue Nov 2021

Introduction

Congratulations!

Congratulations on the purchase of your new **Hills Folding Clothesline Post Kit!** It is important that you read these instructions thoroughly before installation and use to benefit from all the design features and enjoy safe use of the product.

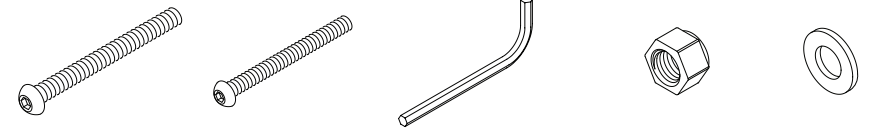
This product is to be used in conjunction with the Hills Single, Double and Compact Folding Frame Clotheslines in Monument or Surfmist colour. It is not suitable for the Long or Mini Folding Frame.

Thank you for choosing Hills! Refer to the Folding Frame Clothesline Manual for warnings regarding the safe use of the products.

Carton Contents

Please check the carton contains all parts listed before installation.

x2 Socket head bolts M8x85 x2 Socket head bolts M8x65 x1 Hex key x4 Nyloc nuts M8 x8 Washers M8



x1 Cross brace

x2 Posts



*Required Materials and Tools (Not included)

- Pre-mix concrete
- Coarse gravel
- Tape measure
- Spirit level
- Spade

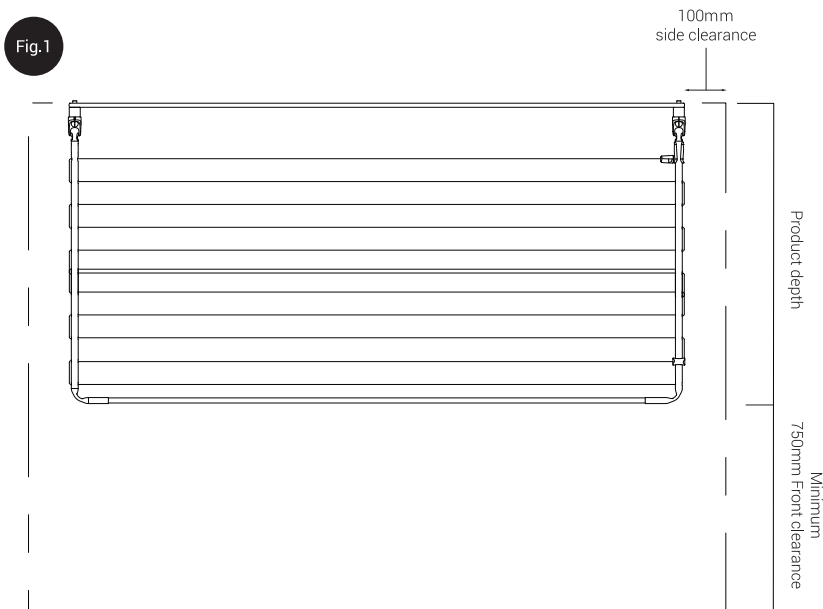
1

Installation Location

Product name	Clothesline dimensions	Post Hole centres
Hills Single Folding Frame Clothesline	2400 x 1200mm	2353mm
Hills Double Folding Frame Clothesline	2400 x 1200mm	2353mm*
Hills Compact Folding Frame Clothesline	2400 x 850mm	2353mm

*Note: For the Double Folding Clothesline, the outer holes on the Brackets will be mounted to the Post Kit.

- 1.1 Select a suitable location for the post installation. Ensure the surrounding area is free from obstructions. We recommend 0.1m clearance on each side and 0.75m clearance in front. (Figure 1)



2

Hills Warranty

AMES Australasia Pty Ltd warrants that this Hills product will be free from defects in manufacturing for the lifetime of the original purchaser of the product. This warranty does not extend to the surface finish of the product from weathering. If a defect covered by this warranty becomes evident during that period, AMES Australasia Pty Ltd will, at its option, replace the product, supply replacement parts for the product or refund the product. The cost or labour required to install any replacement part or product supplied under a valid warranty claim is not covered.

In the event of a defect covered by this warranty, you should contact the Hills Customer Service Centre using the details below. You will require proof of purchase. Any expenses incurred in making a claim under this warranty are not covered by the warranty.

This warranty does not apply to any defect or damage caused by accident, improper use, abuse, neglect, or unauthorised alteration or repair. This warranty does not apply where the product was not installed in accordance with the product installation instructions. This warranty does not apply to any costs incurred in the installation of the product.

For products purchased in Australia

Our goods come with guarantees that cannot be excluded under the Australian Consumer Law. You are entitled to a replacement or refund for a major failure and compensation for any other reasonably foreseeable loss or damage. You are also entitled to have the goods repaired or replaced if the goods fail to be of acceptable quality and the failure does not amount to a major failure.

For products purchased in New Zealand

Our goods come with guarantees that cannot be excluded under the Consumer Guarantees Act. AMES Australasia Pty Ltd will comply with our obligations to you under the Consumer Guarantees Act.

AMES Australasia Pty Ltd.
ABN 89 169 427 061
Level 1, 660 Doncaster Road,
Doncaster, VIC 3108 Australia

7

Assembly Instructions

3.1 After allowing the concrete to set for at least 48 hours, remove the cross brace and fastener assembly.

3.2 Assemble clothesline brackets onto the post kit. The M8 x 85 bolts supplied are for the top holes. The M8 x 65 bolts supplied are for the bottom holes. (Figure 6)

***Note:** For the Double Folding Clothesline, the outer holes on the Brackets will be mounted to the Post Kit. (Figure 7)

Fig.6

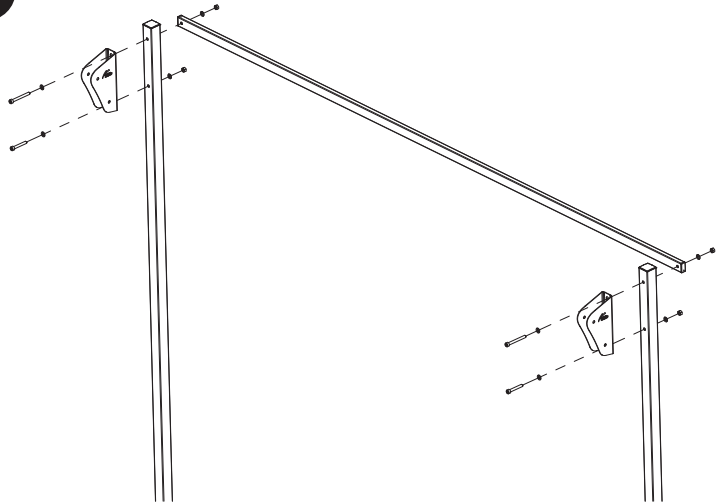
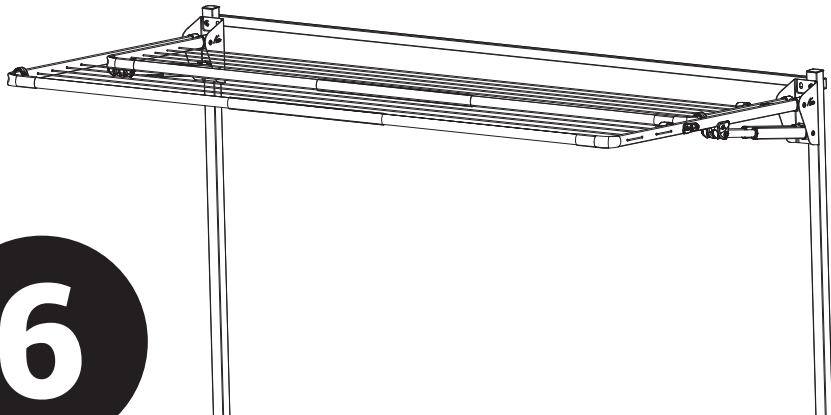


Fig.7

***Note:** Figure 7 relevant to the Double Folding Clothesline only



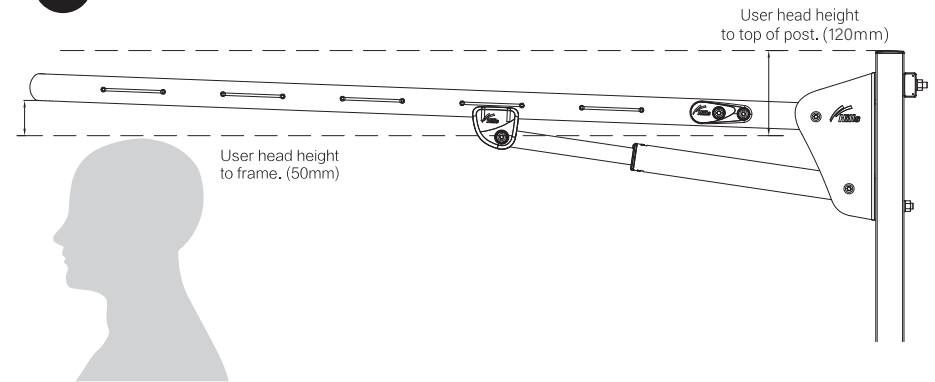
6

1.2 For all installations we recommend the operational height for the line is approximately 50mm above the users' head height. This means the top of the Post should finish 120mm above user head height. (Figure 2)

***Note:** For taller users, 120mm above head height is not always possible.

***Note:** Please refer to the Clothesline Manual for further information about assembly, installation and operation of the Clothesline.

Fig.2



3

Installation Instructions

Installing directly into a concrete pad

***Note:** Check to ensure that all parts are removed from the carton before beginning installation. The accessory pack may be stored within the Post.

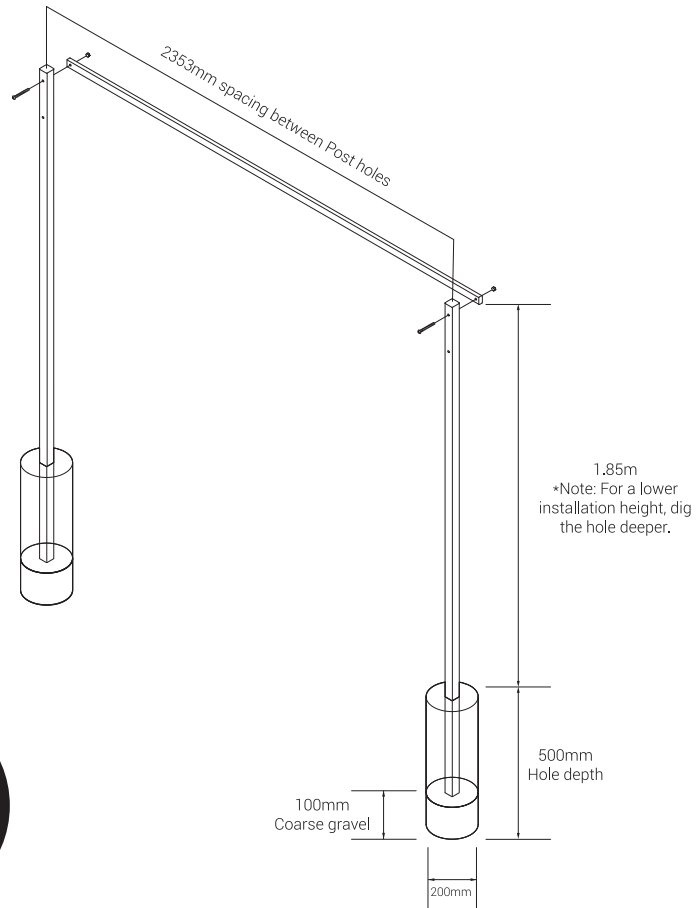
2.1 Having selected a suitable location, mark out 2x centre marks spaced at 2353mm for the post hole locations.

2.2 Dig two holes 200mm in diameter x 500mm deep. Place approximately 100mm of coarse gravel in the bottom of the hole.

***Note:** If you wish for the clothesline to sit lower, dig the hole deeper.

2.3 Insert the Posts into the holes – push the base of the Posts approx. 40mm into the gravel. (Figure 4)

Fig.4



4

2.4 Loosely fasten the Cross Brace to the top holes in each Post, using two M8 x 85 socket head bolts and two Nyloc nuts. This is done to ensure alignment and will be removed to include the Folding Bracket after concrete has set for 48 hours.

2.5 Support the posts and using a spirit level and tape measure, check that the Posts are parallel with each other and level – both vertically and horizontally.

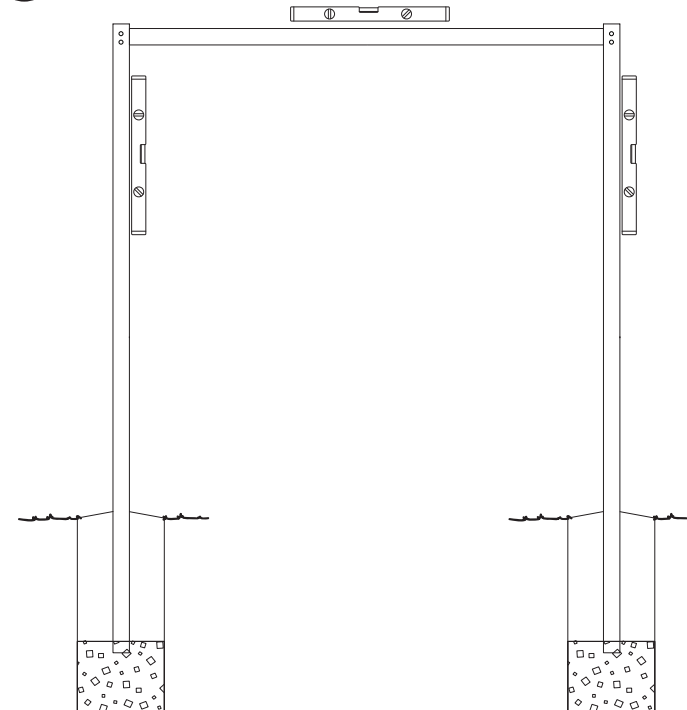
2.6 Concrete should be damp enough to hold together when squeezed in your hand. Support the Posts in position and fill the holes with concrete, packing firmly.

2.7 Settle the concrete by pushing a thin stick into the mix several times.

2.8 Slope the surface of the concrete away from each post to provide drainage. Use a spirit level and tape measure to check the posts are parallel and level. (Figure 5)

***Note:** Allow 48 hours for the concrete to set before use.

Fig.5



5